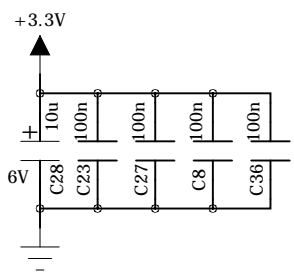
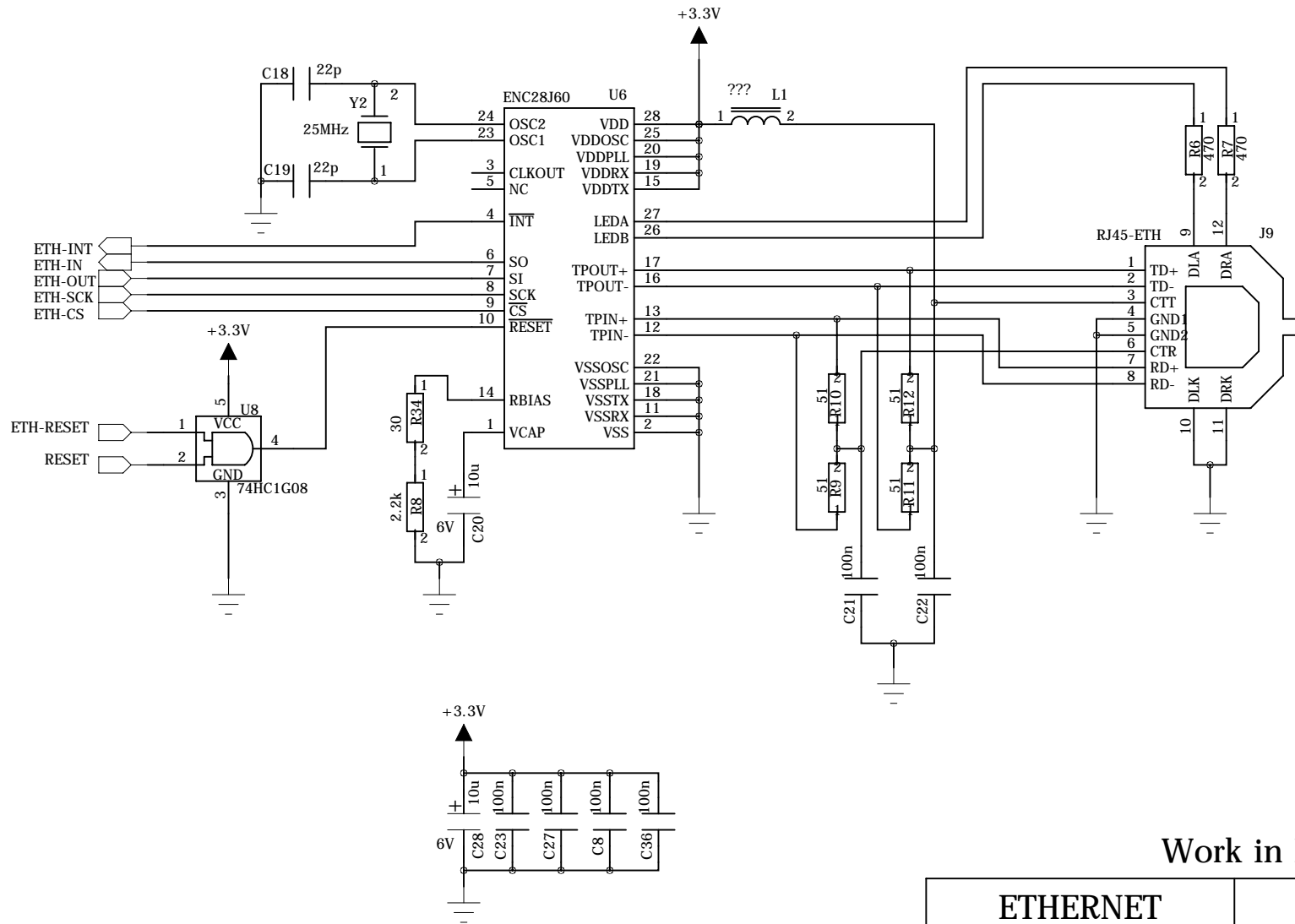


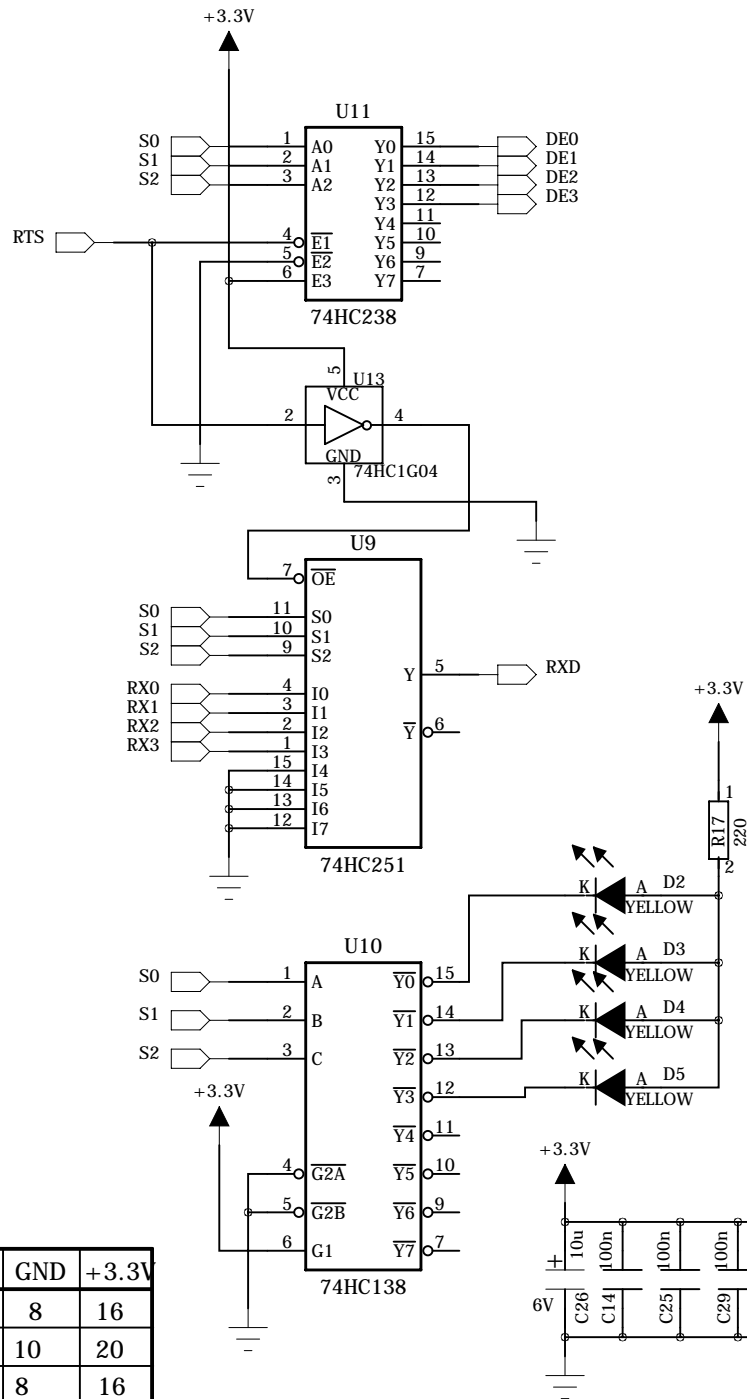
Work in Progress 2013-04-12

CPU		LUND UNIVERSITY	
TITLE:		DRAWING NO:	
DCS Master Box		<Drawing Number>	
DRAWN:	DATE:	SHEET: 1 OF 4	
Lennart	2013-04-12		

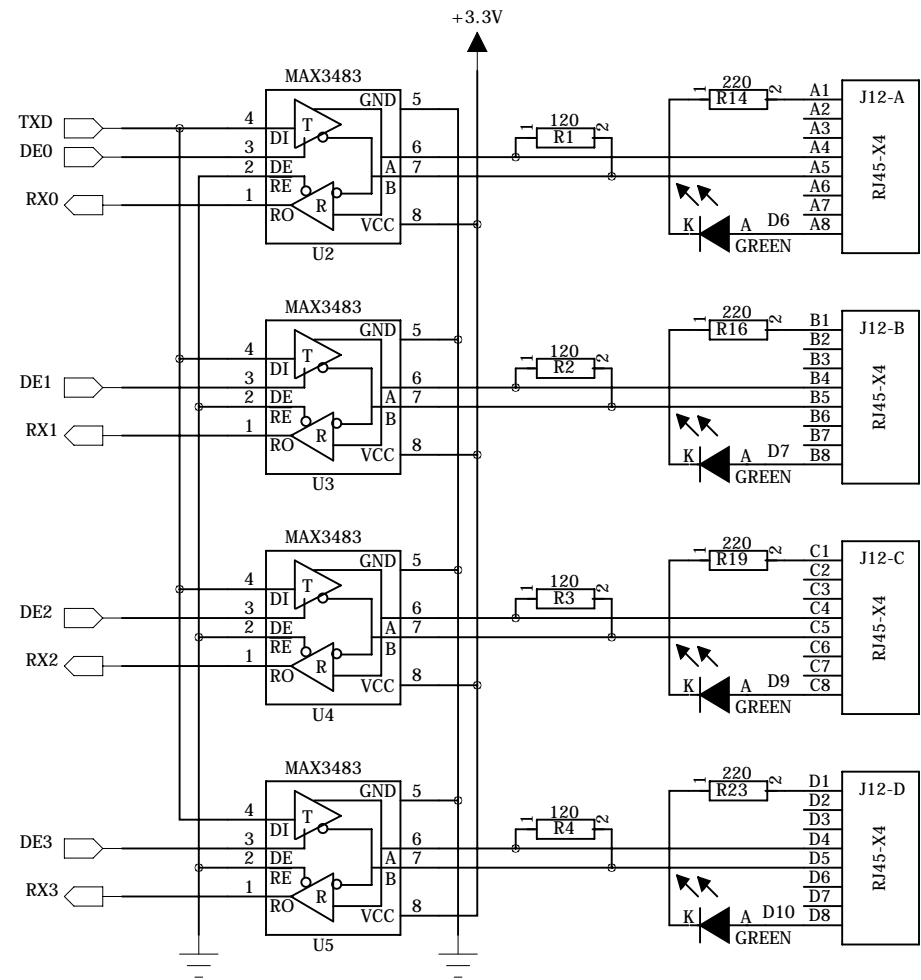
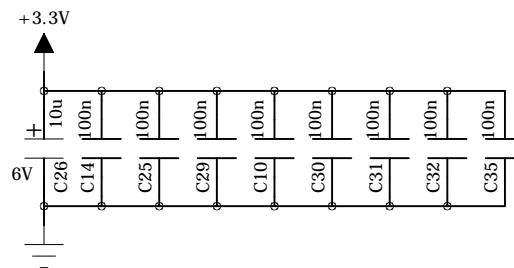


Work in Progress 2013-04-12

ETHERNET		LUND UNIVERSITY	
TITLE: DCS Master Box		DRAWING NO: <Drawing Number>	
DRAWN: Lennart	DATE: 2013-04-12	SHEET: 2 OF 4	

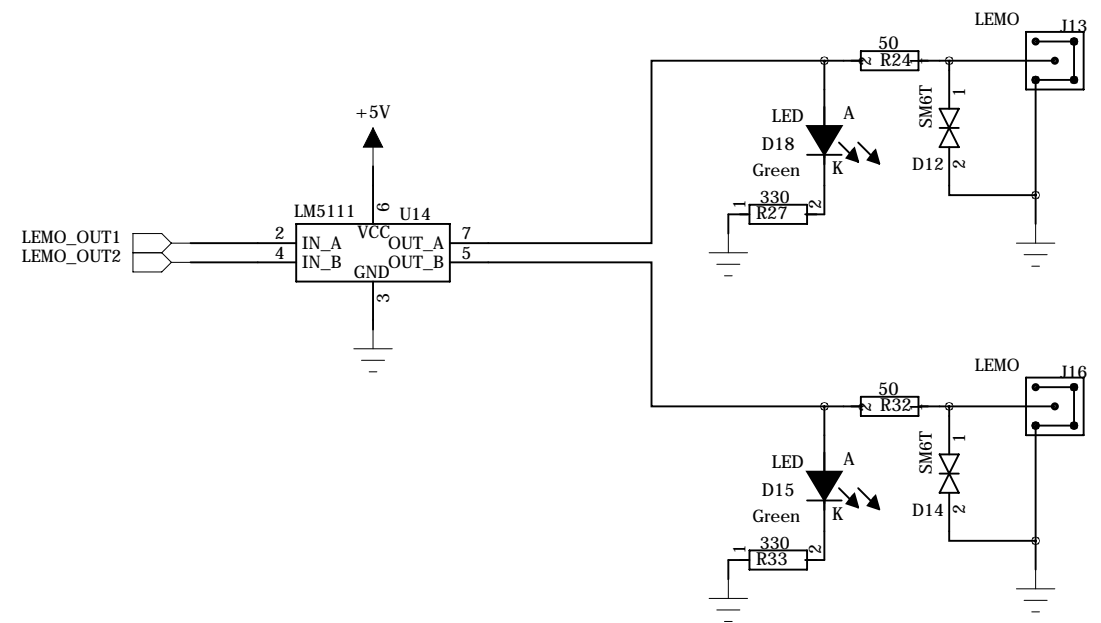
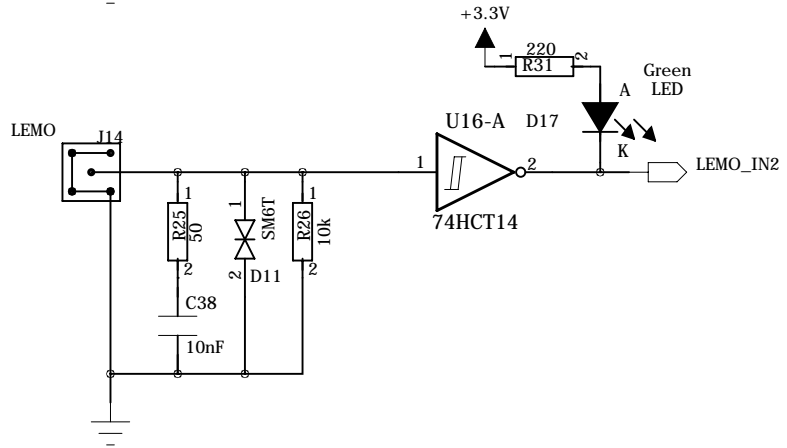
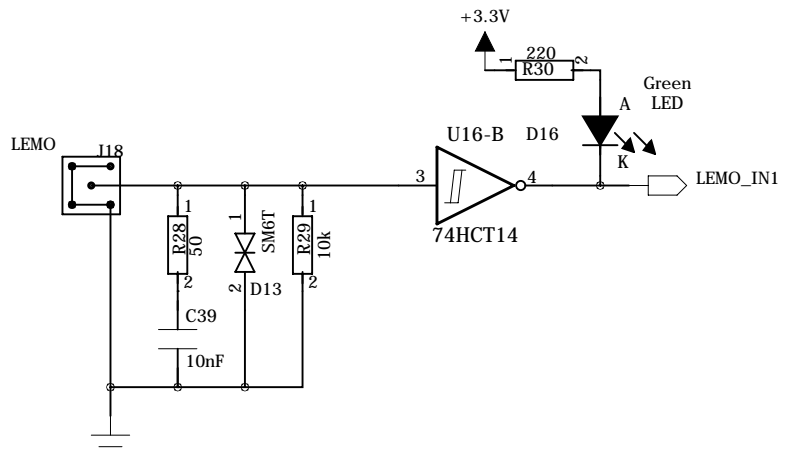


	GND	+3.3V
U11	8	16
U9	10	20
U10	8	16

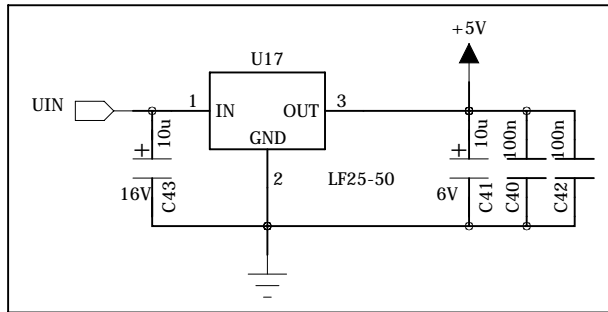


Work in Progress 2013-04-12

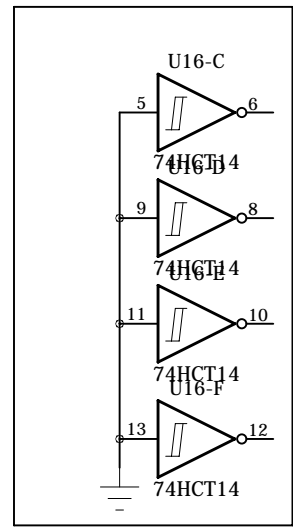
RS485		LUND UNIVERSITY	
TITLE:		DRAWING NO:	
DCS Master Box		<Drawing Number>	
DRAWN:	DATE:	SHEET: 3 OF 4	
Lennart	2013-04-12		



POWER FOR LEMO INTERFACE



NOT USED



	GND	+5V
74HC14	7	14

Work in Progress 2013-04-12

LEMO		LUND UNIVERSITY	
TITLE:		DRAWING NO:	
DCS Master Box		<Drawing Number>	
DRAWN:	DATE:	SHEET: 4 OF 4	
Lennart	2013-04-12		