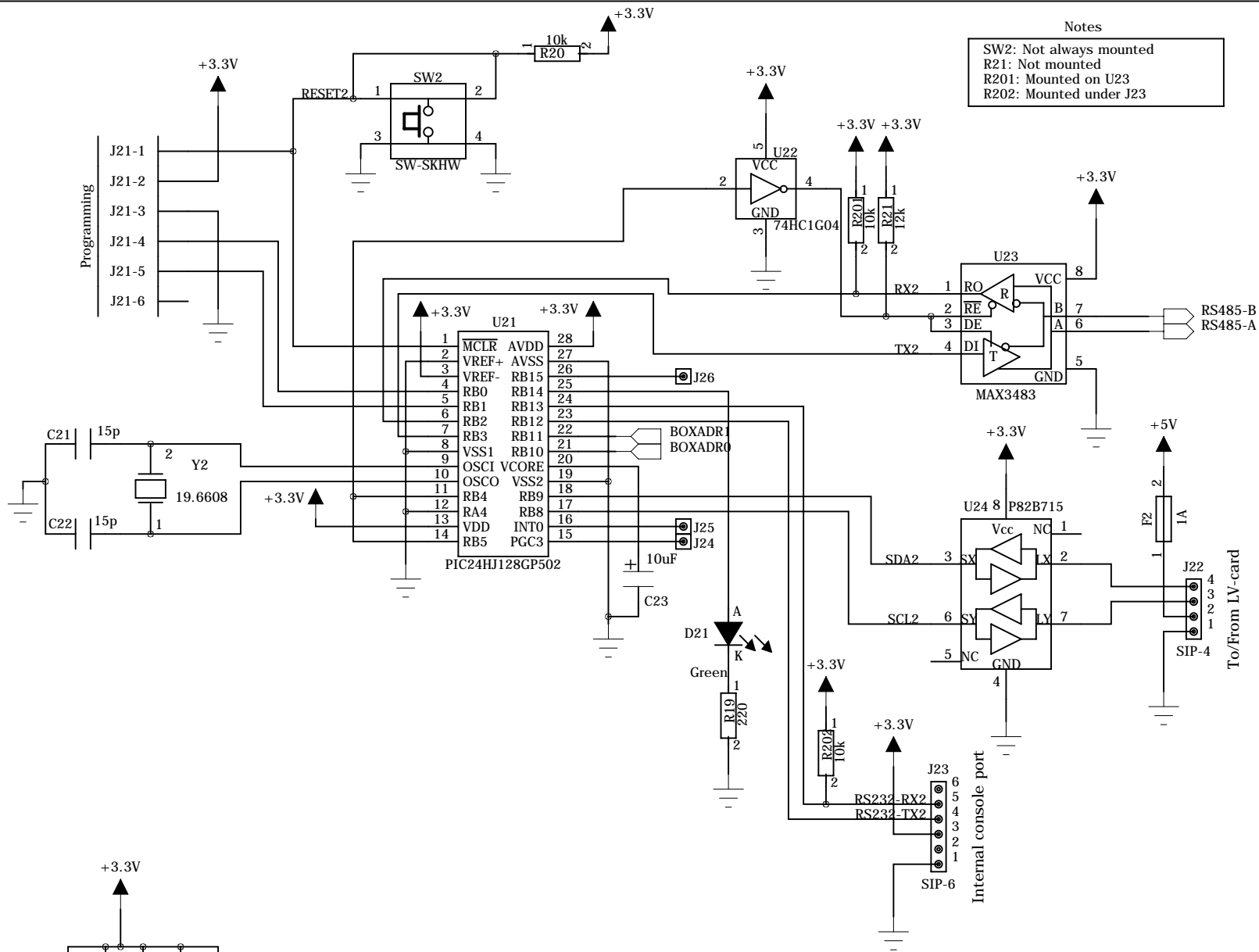


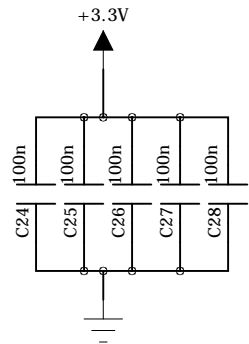
Notes
 SW1: Not always mounted
 R23: Not mounted
 R101: Mounted on U13
 R102: Mounted under J13

Work in Progress 2014-04-07

CPU-1		LUND UNIVERSITY	
TITLE: 5-TO-1 BOX		DRAWING NO: <Drawing Number>	
DRAWN: Lennart	DATE: 2014-04-07	SHEET: 1 OF 6	

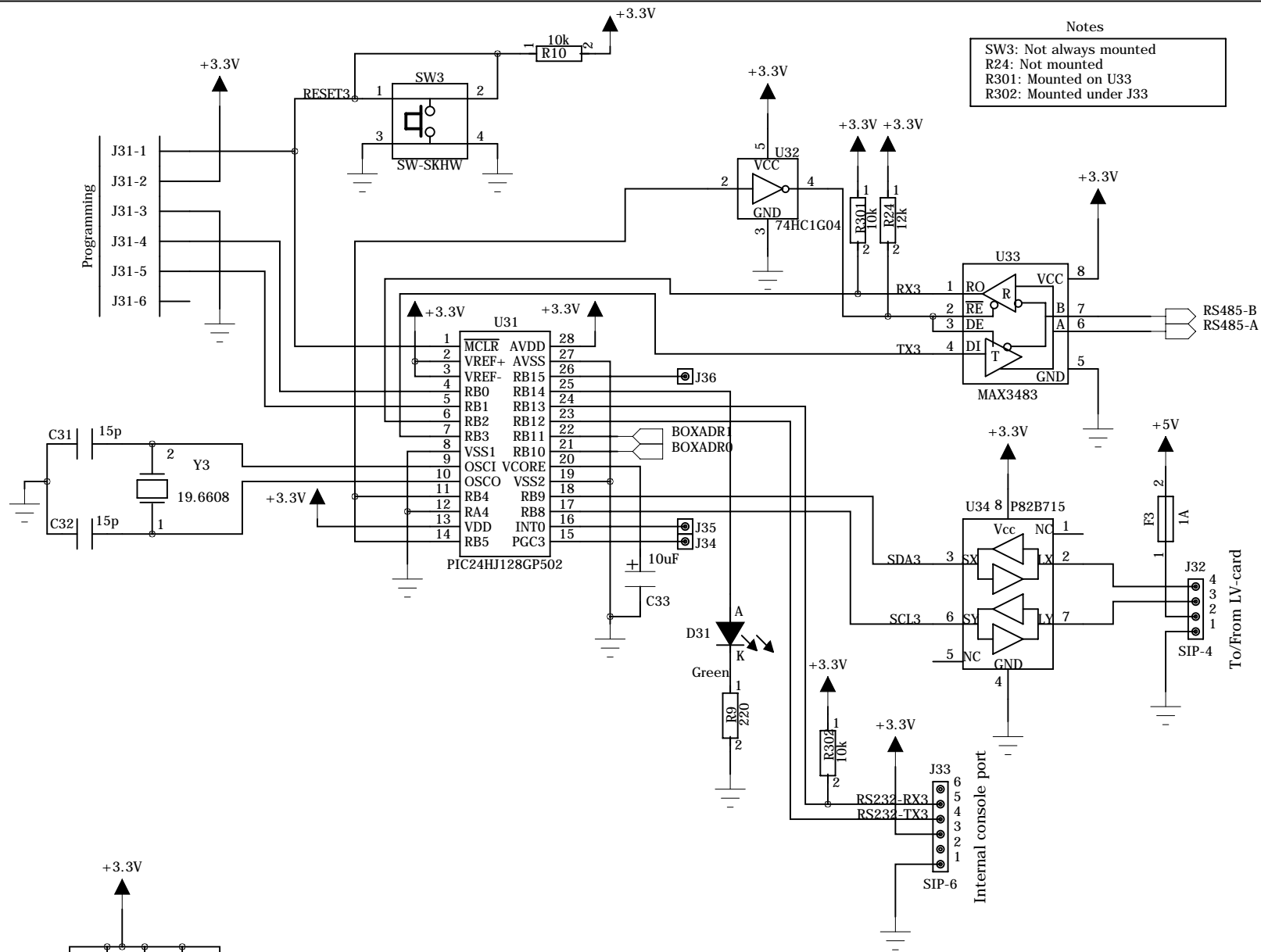


Notes
 SW2: Not always mounted
 R21: Not mounted
 R201: Mounted on U23
 R202: Mounted under J23



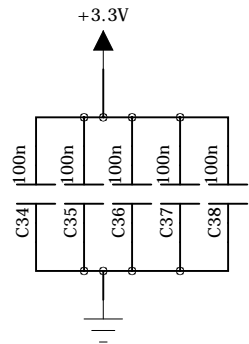
Work in Progress 2014-04-07

CPU-2		LUND UNIVERSITY	
TITLE: 5-TO-1 BOX		DRAWING NO: <Drawing Number>	
DRAWN: Lennart	DATE: 2014-04-07	SHEET: 2 OF 6	



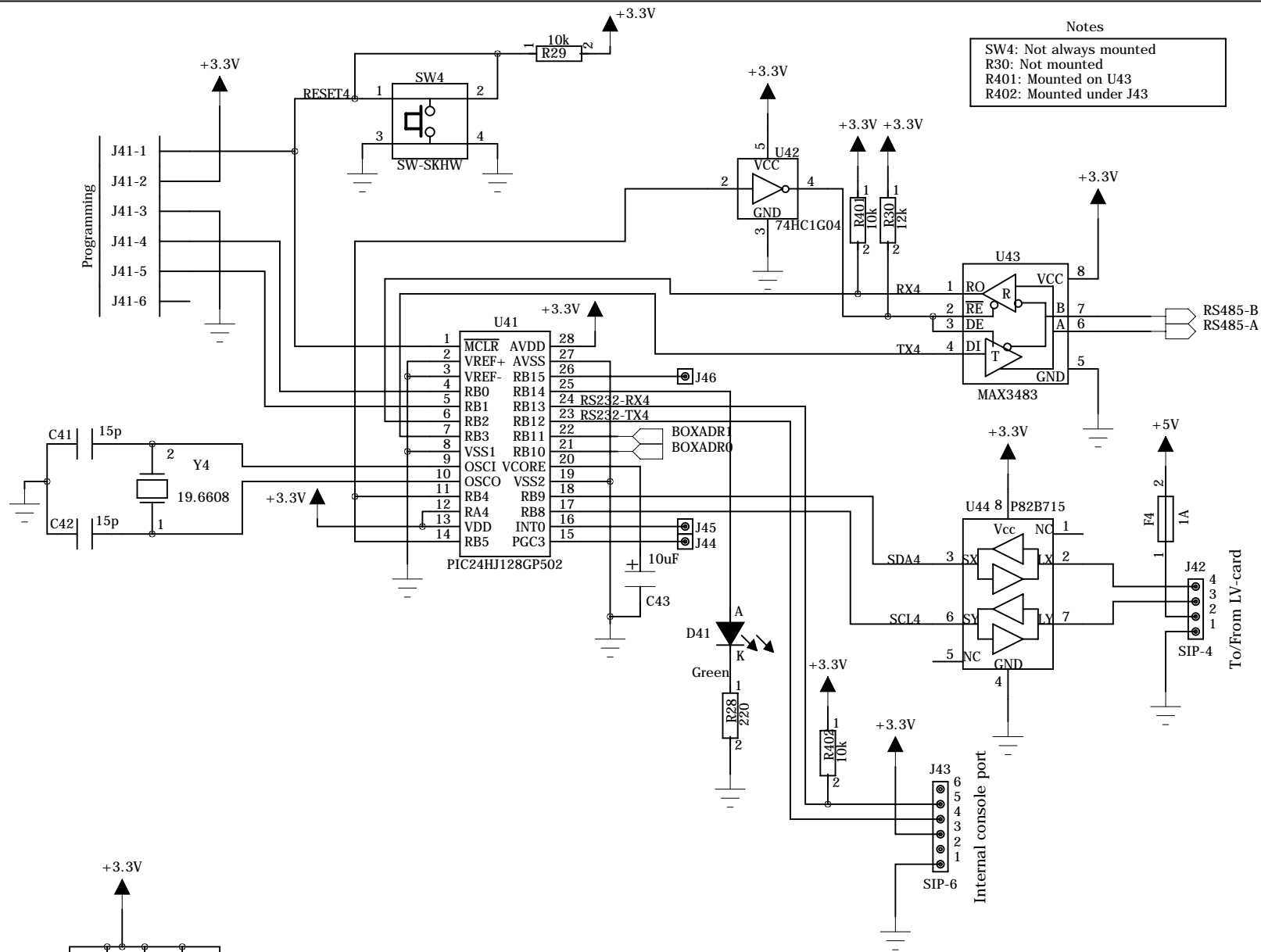
Notes

- SW3: Not always mounted
- R24: Not mounted
- R301: Mounted on U33
- R302: Mounted under J33



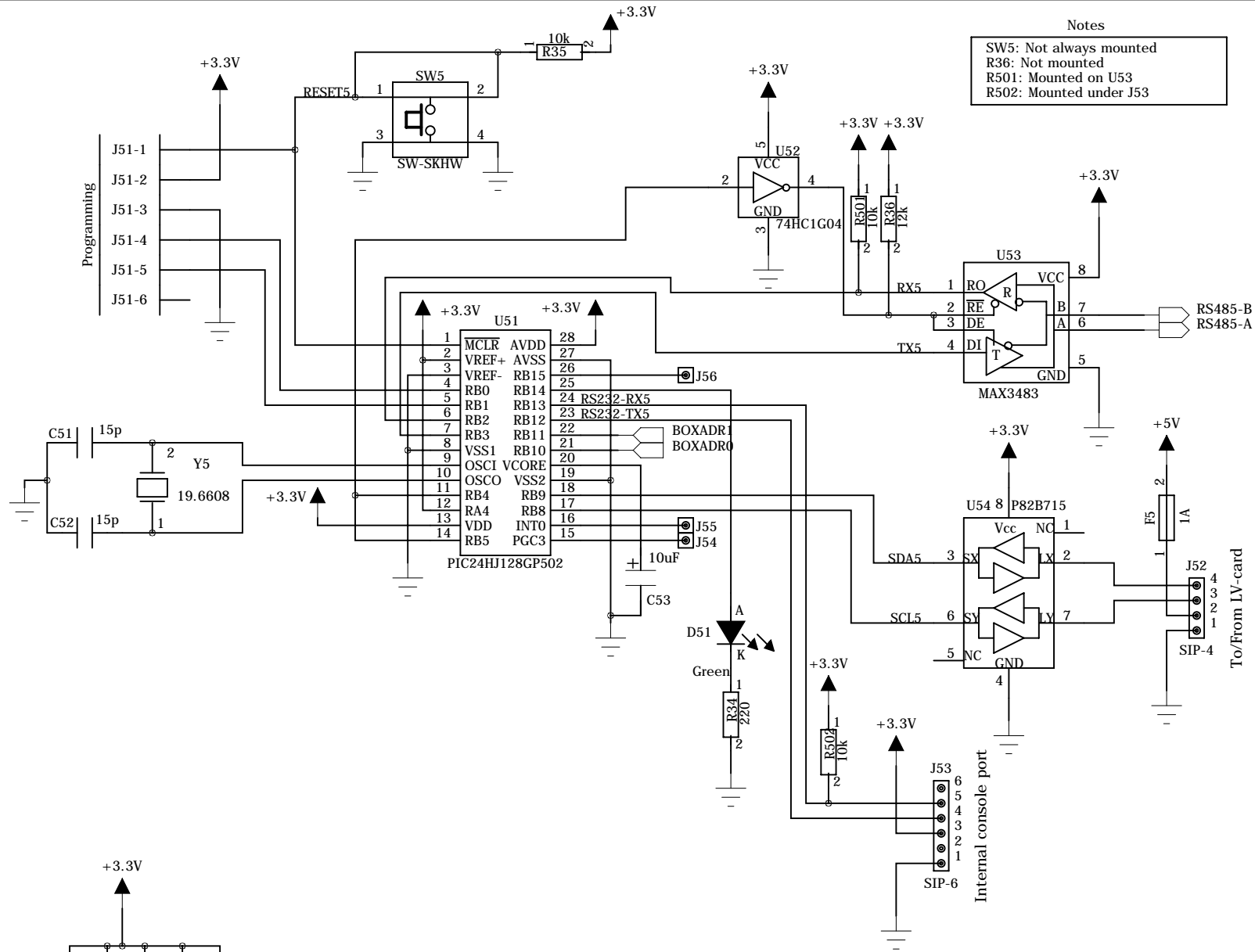
Work in Progress 2014-04-07

CPU-3		LUND UNIVERSITY	
TITLE:		DRAWING NO:	
5-TO-1 BOX		<Drawing Number>	
DRAWN:	DATE:	SHEET: 3 OF 6	
Lennart	2014-04-07		

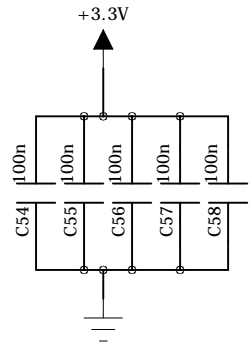


Work in Progress 2014-04-07

CPU-4		LUND UNIVERSITY	
TITLE:		DRAWING NO:	
5-TO-1 BOX		<Drawing Number>	
DRAWN:	DATE:	SHEET: 4 OF 6	
Lennart	2014-04-07		



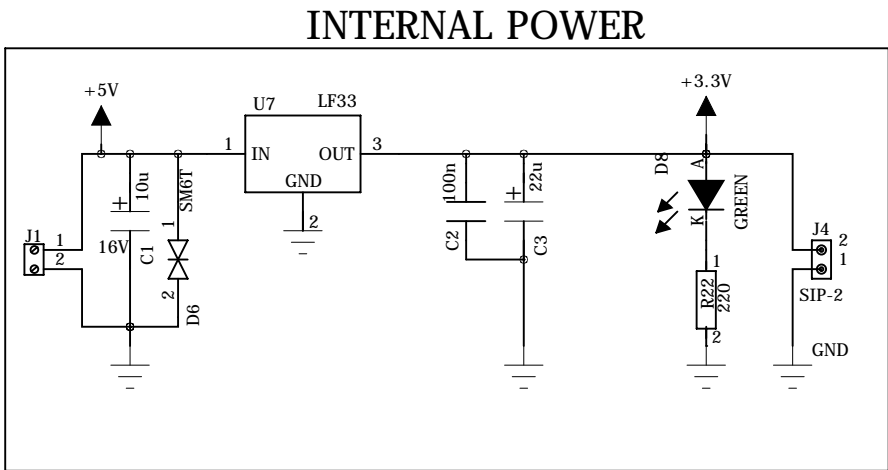
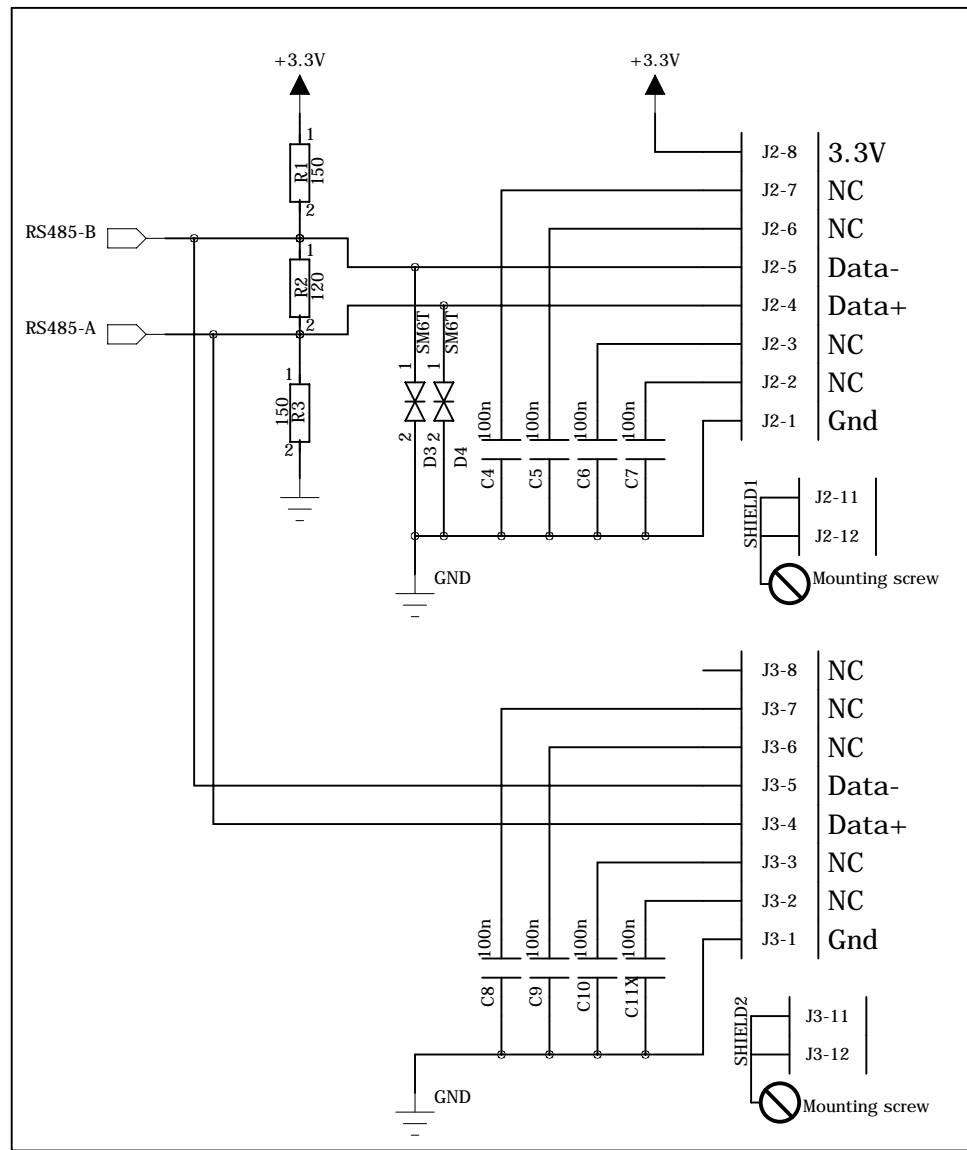
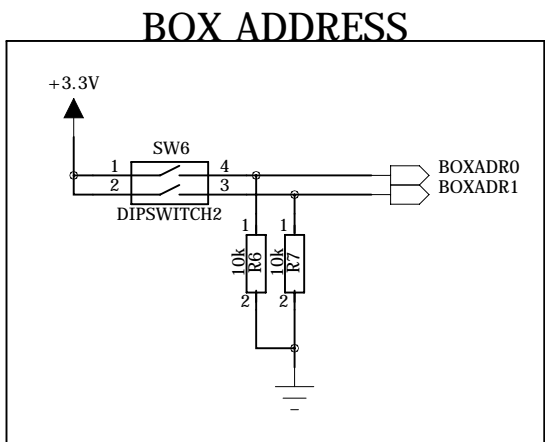
Notes
 SW5: Not always mounted
 R36: Not mounted
 R501: Mounted on U53
 R502: Mounted under J53



Work in Progress 2014-04-07

CPU-5		LUND UNIVERSITY	
TITLE: 5-TO-1 BOX		DRAWING NO: <Drawing Number>	
DRAWN: Lennart	DATE: 2014-04-07	SHEET: 5 OF 6	

UPSTREAM RS485 INTERFACE



Work in Progress 2014-04-07

COMMON		LUND UNIVERSITY	
TITLE: 5-TO-1 BOX		DRAWING NO: <Drawing Number>	
DRAWN: Lennart	DATE: 2014-04-07	SHEET: 6 OF 6	

