

LUND
UNIVERSITY

TITLE		
MCM1 Power		
SIZE	DWG NO	REV
A3		0
SCALE	SHEET 1 of 7	16/02/2021:21:21

DRAWN BY Bjorn Lundberg

6

5

4

3

2

1

D

D

C

C

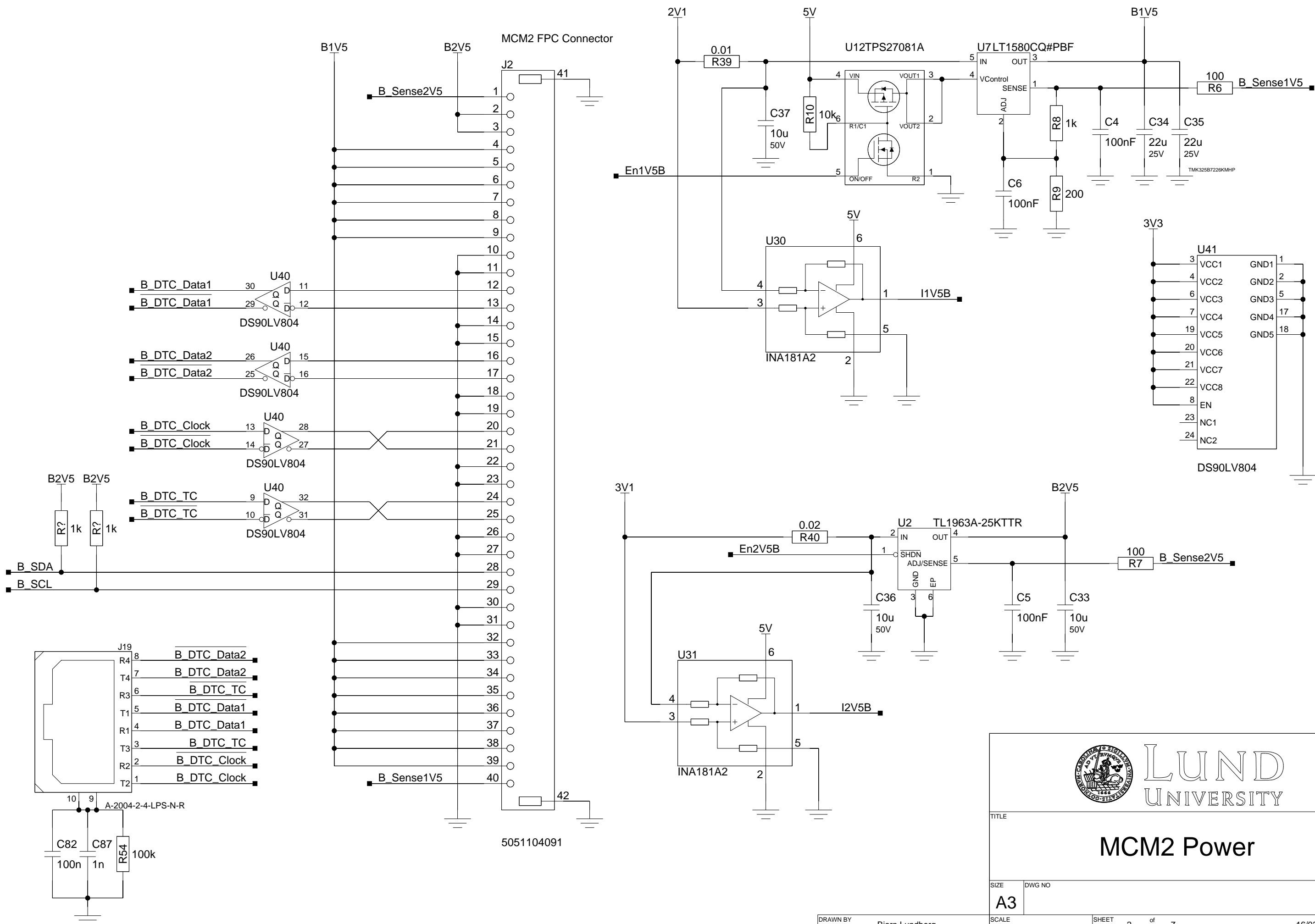
B

B

A

A

MCM2 FPC Connector



LUND
UNIVERSITY

TITLE		
MCM2 Power		
SIZE	DWG NO	REV
A3		0
SCALE	SHEET 2 of 7	16/02/2021:21:21

DRAWN BY Bjorn Lundberg

5051104091

6

5

4

3

2

1

D

D

C

C

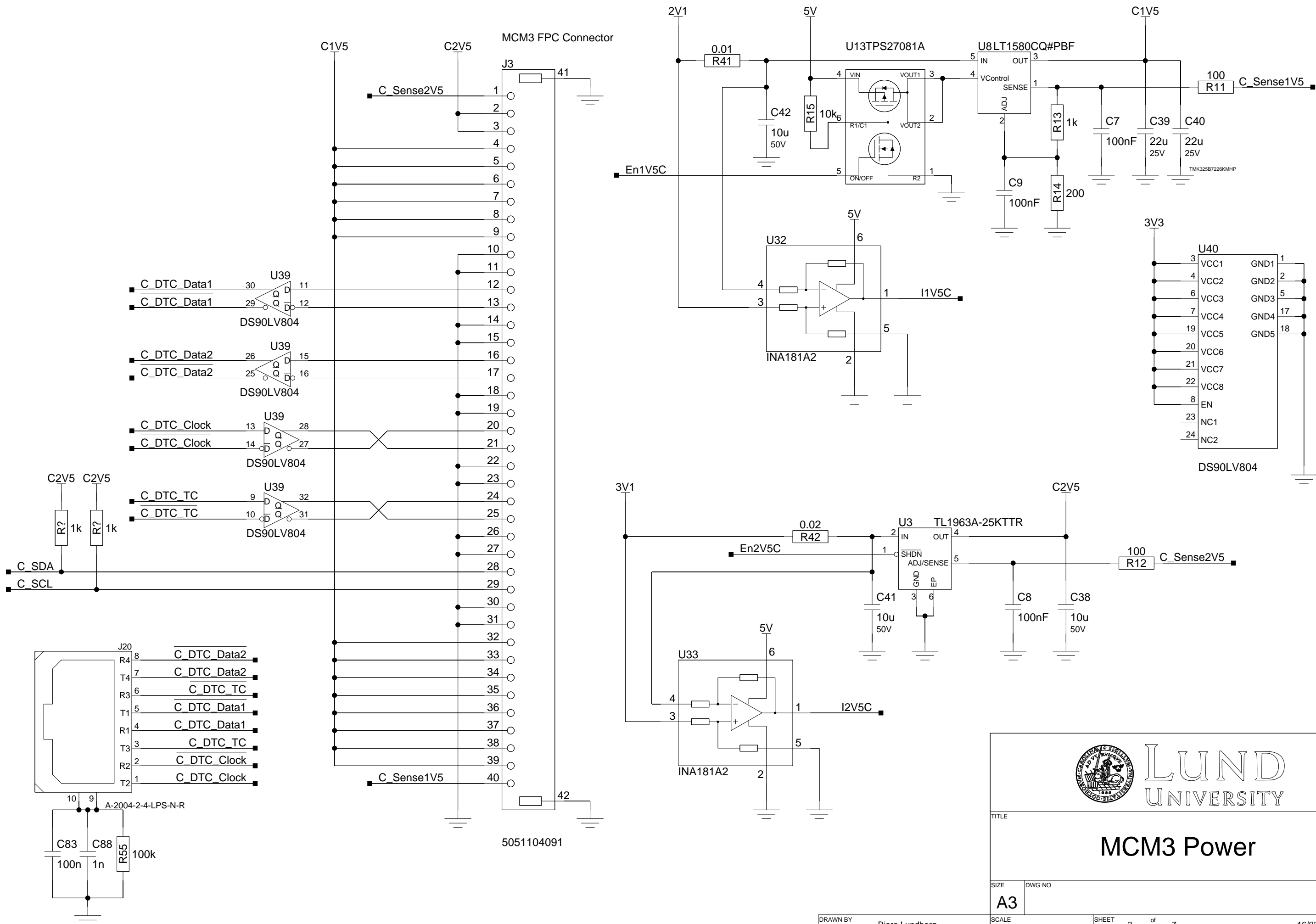
B

B

A

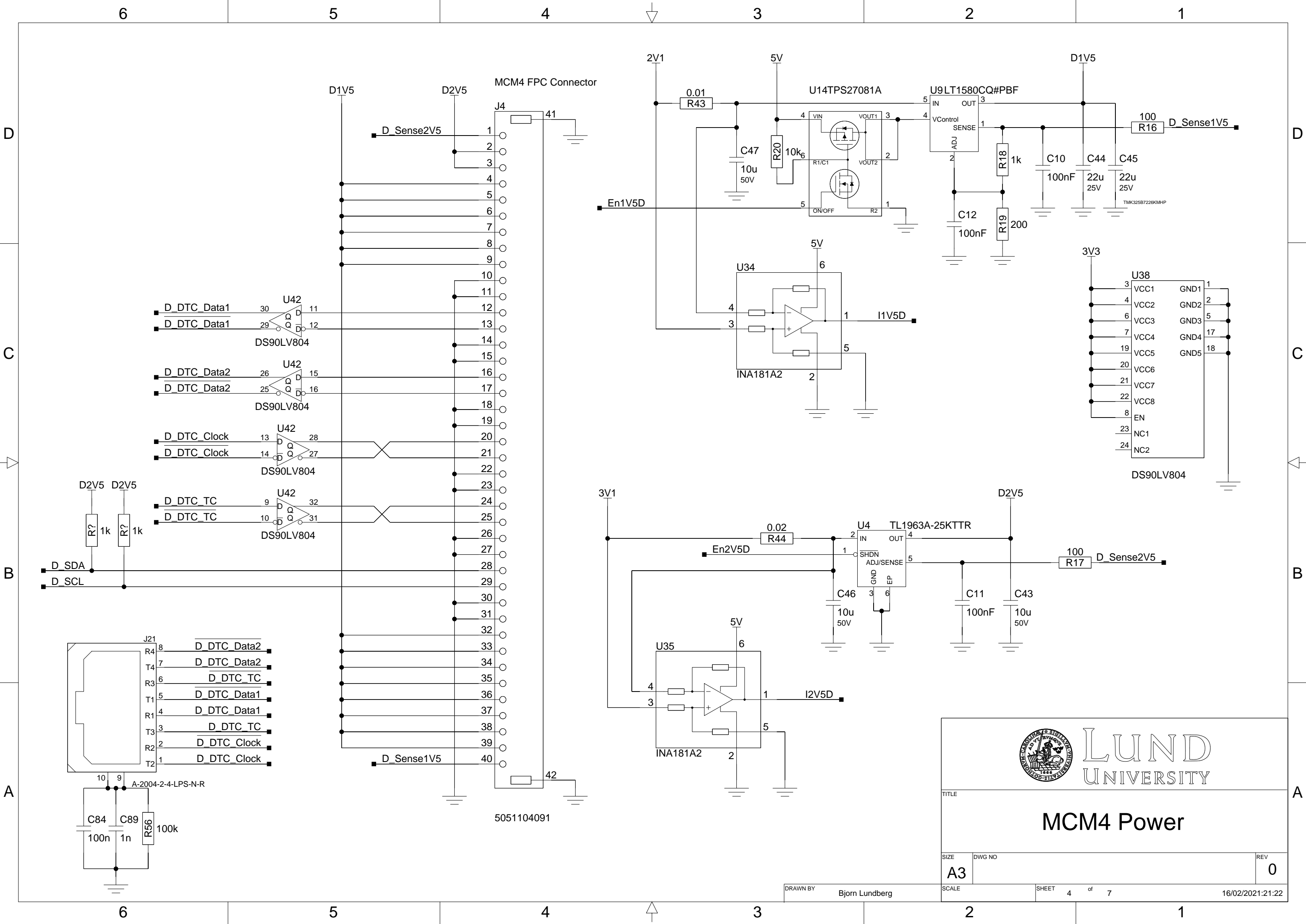
A

MCM3 FPC Connector



LUND
UNIVERSITY

TITLE		
MCM3 Power		
SIZE	DWG NO	REV
A3		0
DRAWN BY		DATE
Bjorn Lundberg		16/02/2021:21:22
SCALE	SHEET 3 of 7	

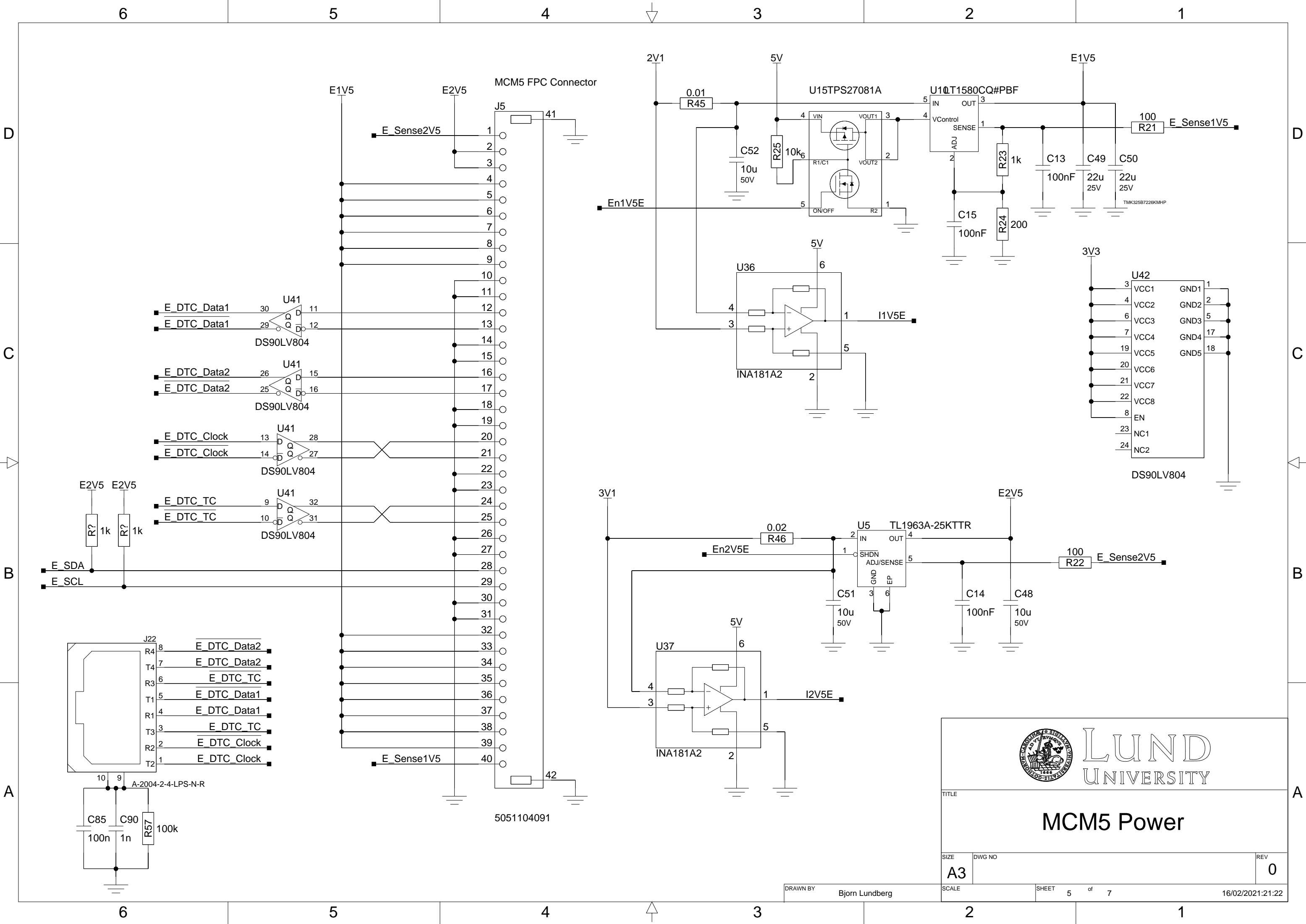


LUND
UNIVERSITY

TITLE		
MCM4 Power		
SIZE	DWG NO	REV
A3		0
SCALE	SHEET 4 of 7	16/02/2021:21:22

DRAWN BY Bjorn Lundberg

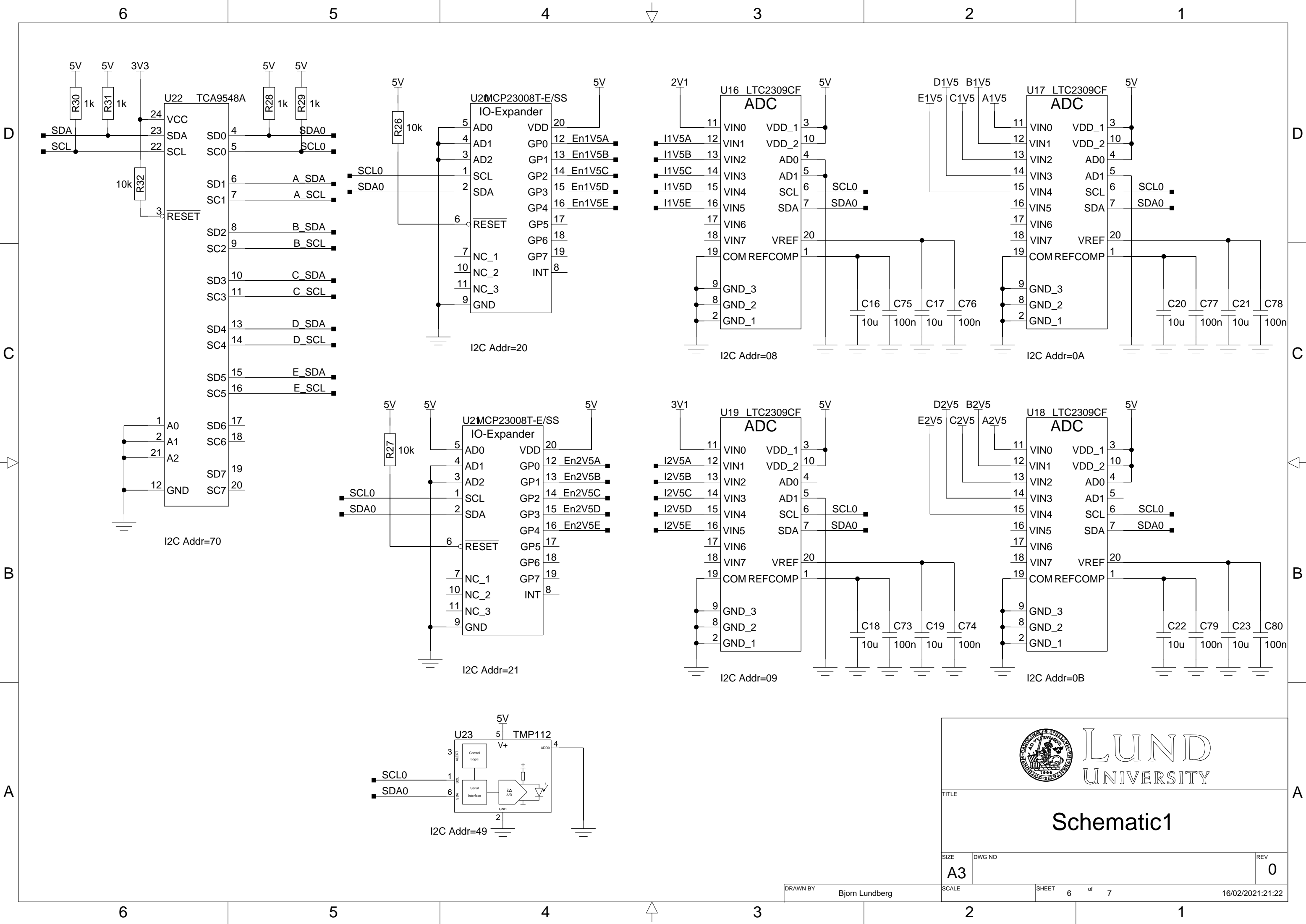
5051104091



LUND
UNIVERSITY

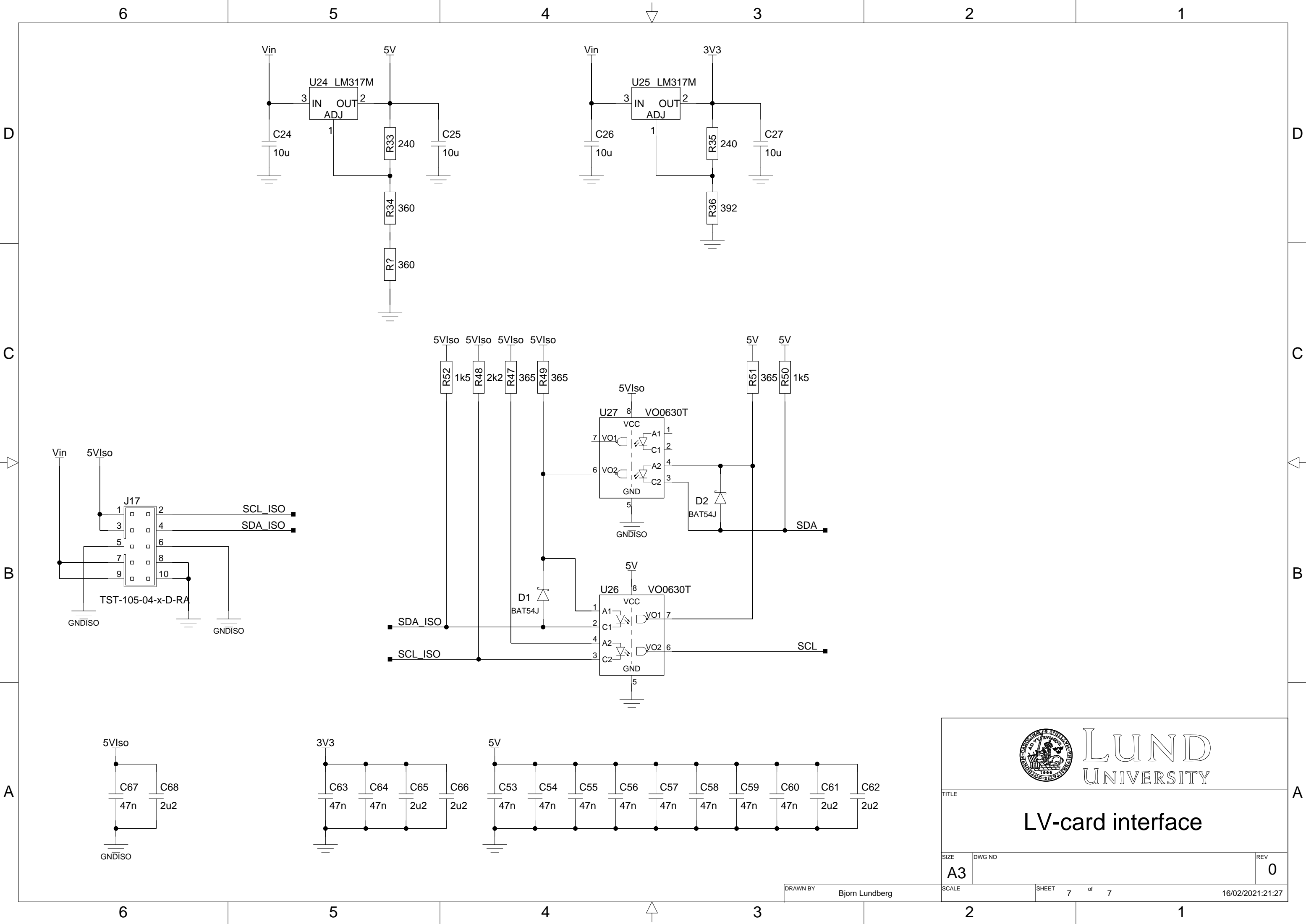
TITLE		
MCM5 Power		
SIZE	DWG NO	REV
A3		0
SCALE	SHEET 5 of 7	16/02/2021:21:22

DRAWN BY Bjorn Lundberg



LUND
UNIVERSITY

TITLE		
Schematic1		
SIZE	DWG NO	REV
A3		0
DRAWN BY		SCALE
Bjorn Lundberg		
SHEET		16/02/2021:21:22
6 of 7		



LUND
UNIVERSITY

LV-card interface

SIZE	DWG NO	REV
A3		0
SCALE	SHEET 7 of 7	16/02/2021:21:27

DRAWN BY Bjorn Lundberg