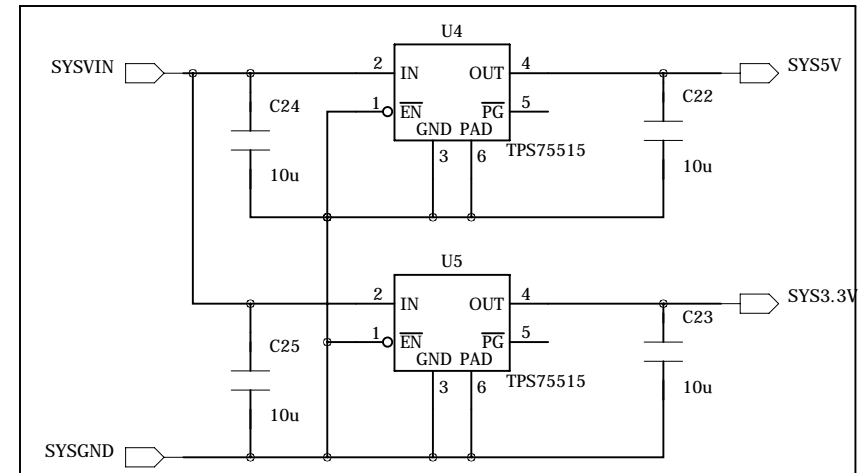
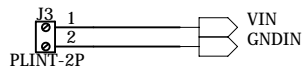


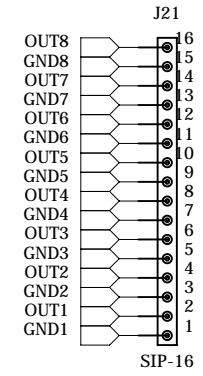
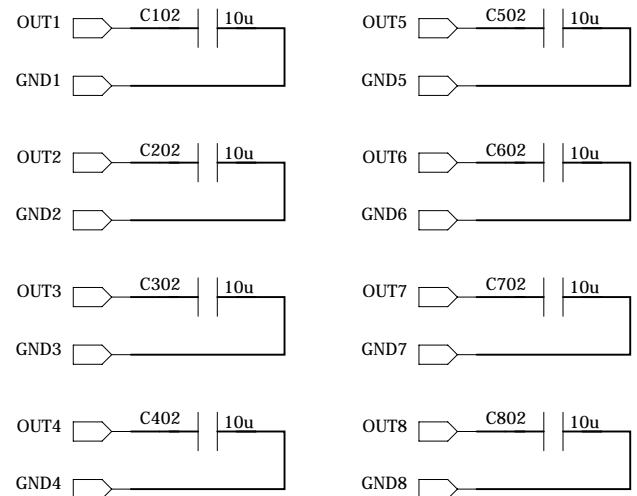
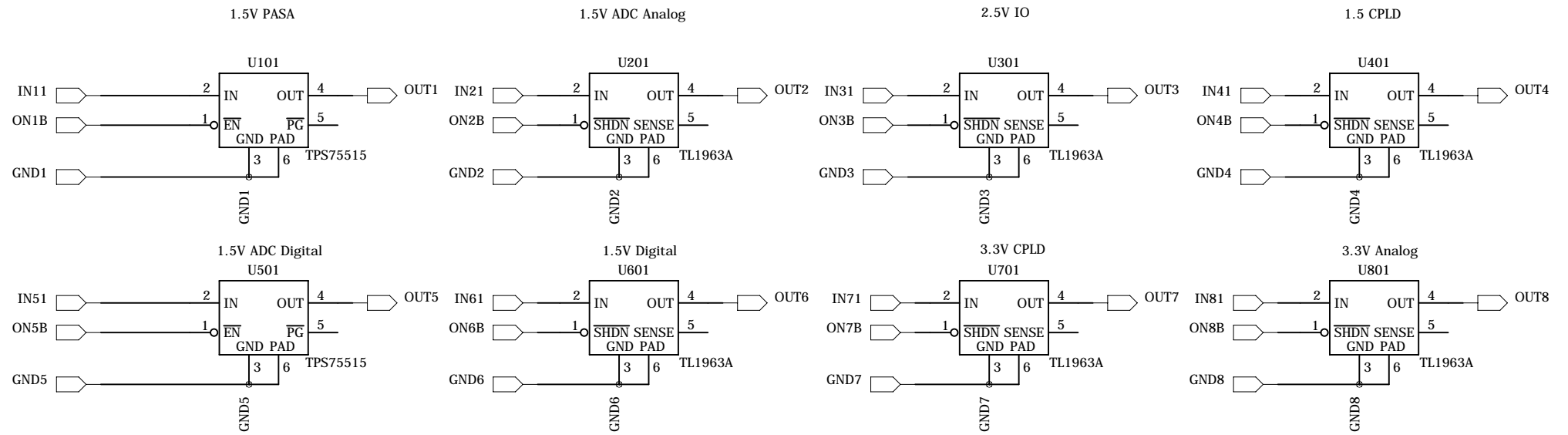
Power for Internal Control



Work in progress 2013-03-08



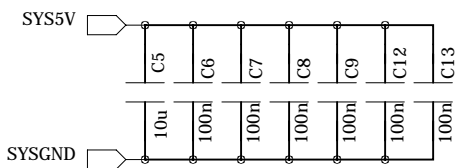
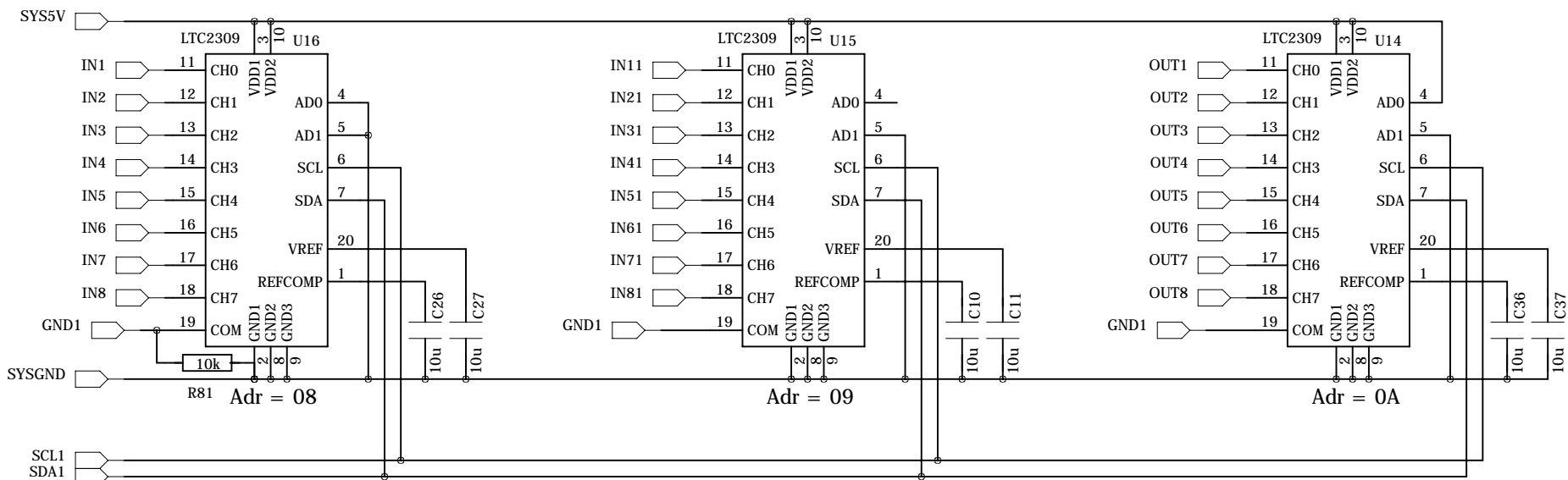
IN		LUND UNIVERSITY	
TITLE: PROTO-LV		DRAWING NO: <Drawing Number>	
DRAWN: Lennart	DATE: 2013 03 07	SHEET: 1 OF 7	



To do:
Välj rätt regulator

Work in progress 2013-03-08

REG		LUND UNIVERSITY	
TITLE: PROTO-LV		DRAWING NO: <Drawing Number>	
DRAWN: Lennart	DATE: 2013 03 07	SHEET: 2 OF 7	

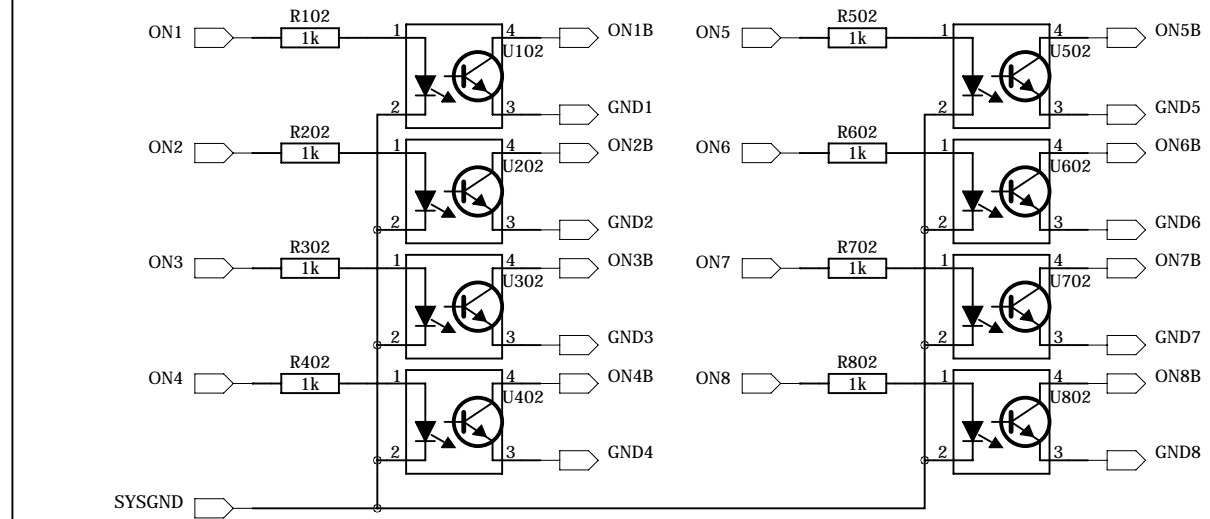
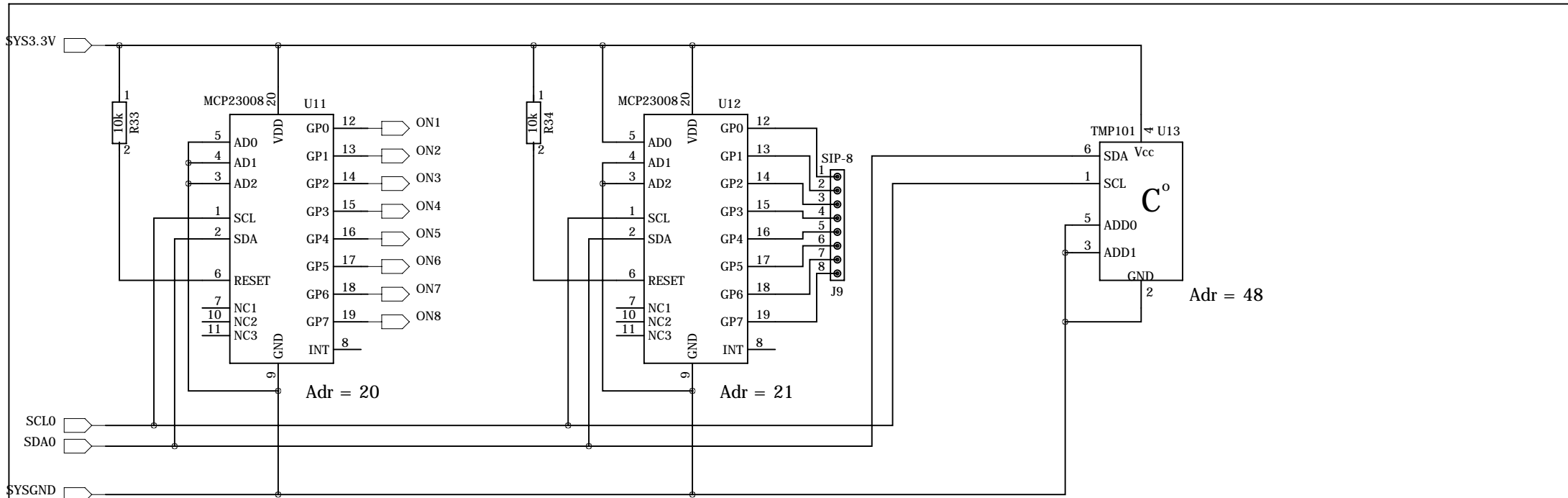


To do:
Anslut alla mätpunkter
Fler 10uF kondingar

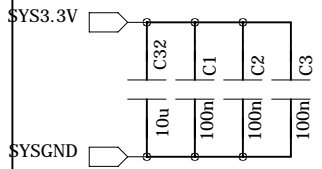
AD1	AD0	ADDRESS
L	L	08
L	-	09
L	H	0A
-	H	0B
-	-	18
-	L	19
H	L	1A
H	-	1B
H	H	28
X	X	6B

Work in progress 2013-03-08

ADC		LUND UNIVERSITY	
TITLE: PROTO-LV		DRAWING NO:	
		<Drawing Number>	
DRAWN:	DATE:		
Lennart	2013 03 07	SHEET: 3 OF 7	

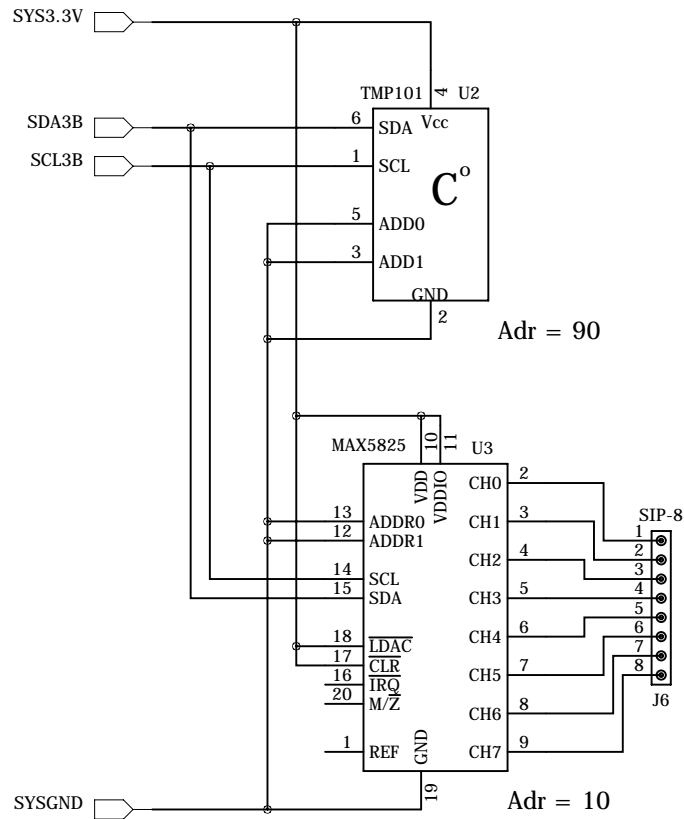


AD2	AD1	AD0	ADDRESS
L	L	L	20
L	L	H	21
L	H	L	22
L	H	H	23
H	L	L	24
H	L	H	25
H	H	L	26
H	H	H	27



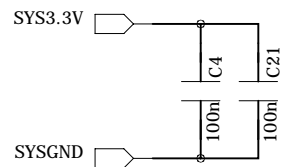
Work in progress 2013-03-08

CONTROL		LUND UNIVERSITY	
TITLE: PROTO-LV		DRAWING NO: <Drawing Number>	
DRAWN: Lennart	DATE: 2013 03 07	SHEET: 4 OF 7	



TMP101		
AD1	AD0	ADDRESS
L	L	90
L	-	91
L	H	92
-	L	93
H	L	94
H	-	95
H	H	96
-	H	97

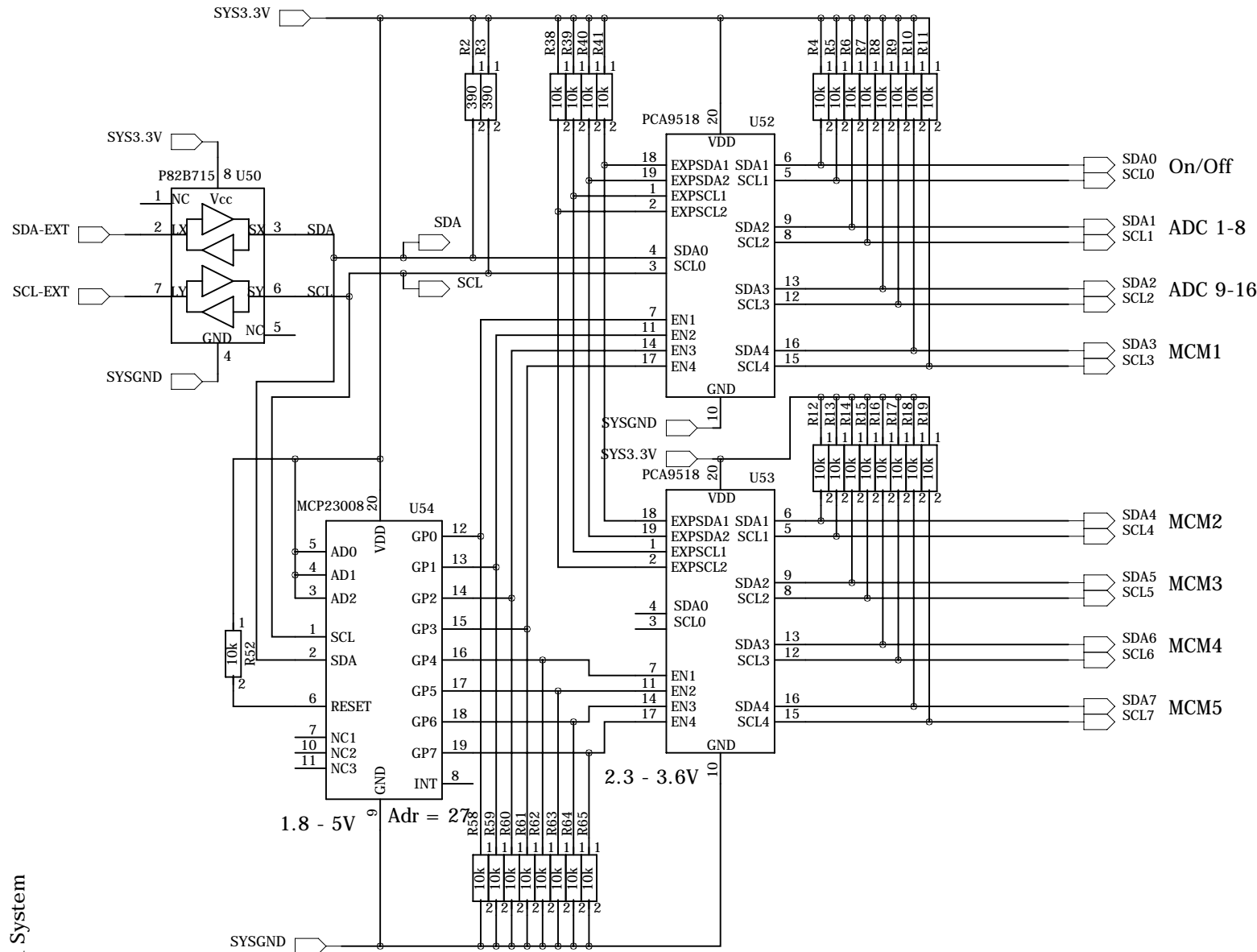
MAX5825		
AD1	AD0	ADDRESS
L	L	10
L	-	12
L	H	13
-	H	1B
-	-	1A
-	L	18
H	L	1C
H	-	1E
H	H	1F



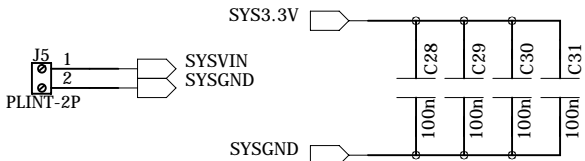
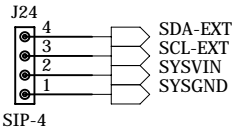
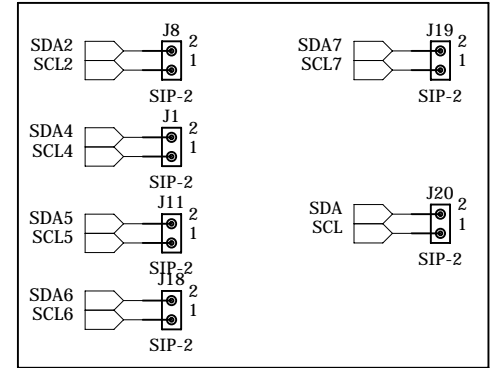
Work in progress 2013-03-08

MCM		LUND UNIVERSITY	
TITLE:	PROTO-LV	DRAWING NO:	<Drawing Number>
DRAWN:	Lennart	DATE:	2013 03 07
		SHEET: 5 OF 7	

To/From I2C Control System

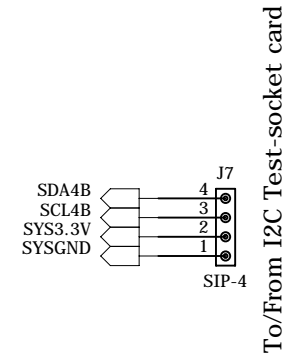
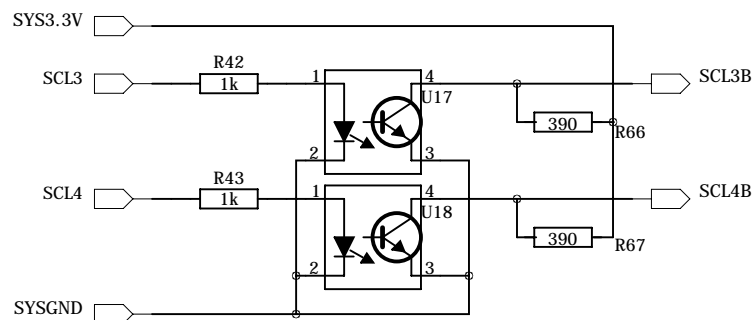
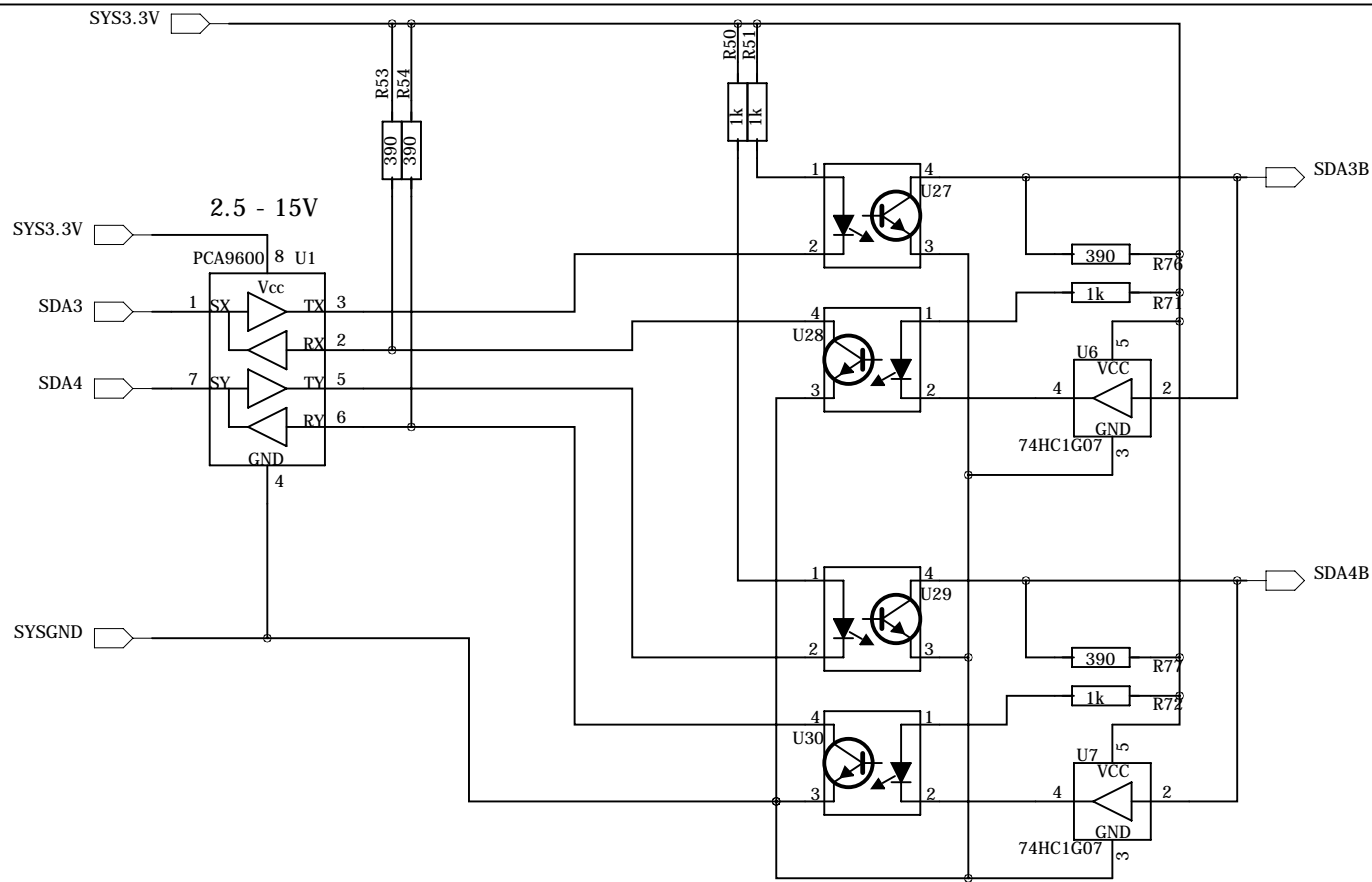


To do:
Avkopplingkondingar
Pull upp på I2C linjerna?



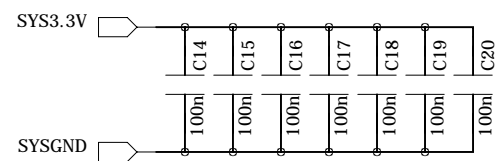
Work in progress 2013-03-08

I2C-1		LUND UNIVERSITY	
TITLE: PROTO-LV		DRAWING NO: <Drawing Number>	
DRAWN: Lennart	DATE: 2013 03 07	SHEET: 6 OF 7	



To do:
Kolla upp resistorvärde

Work in progress 2013-03-08



I2C-2		LUND UNIVERSITY	
TITLE: PROTO-LV		DRAWING NO: <Drawing Number>	
DRAWN: Lennart	DATE: 2013 03 07	SHEET: 7 OF 7	