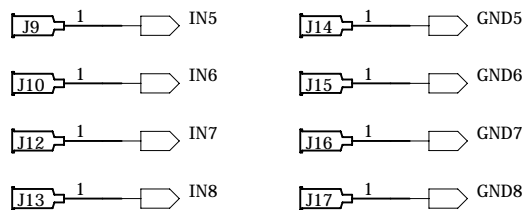
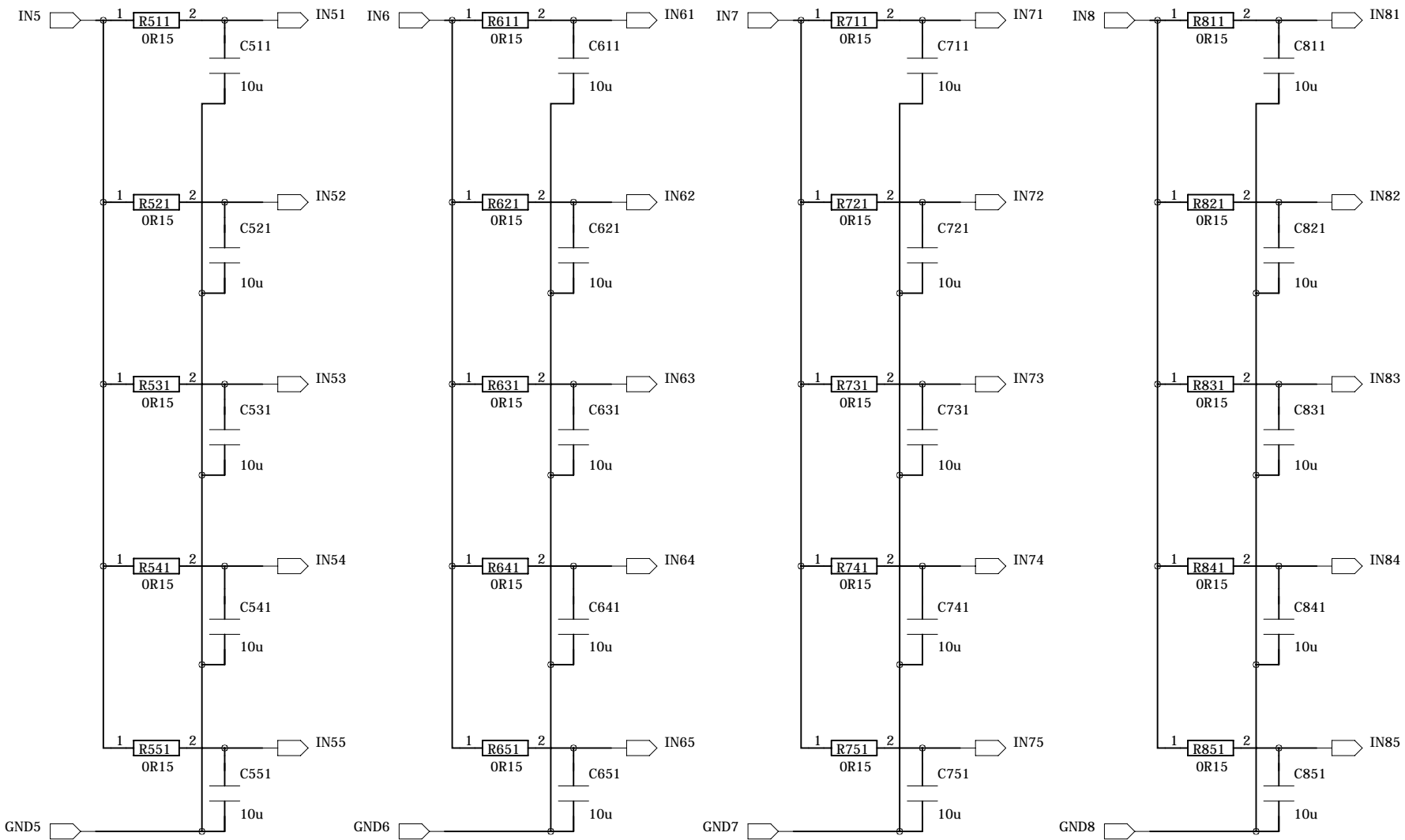


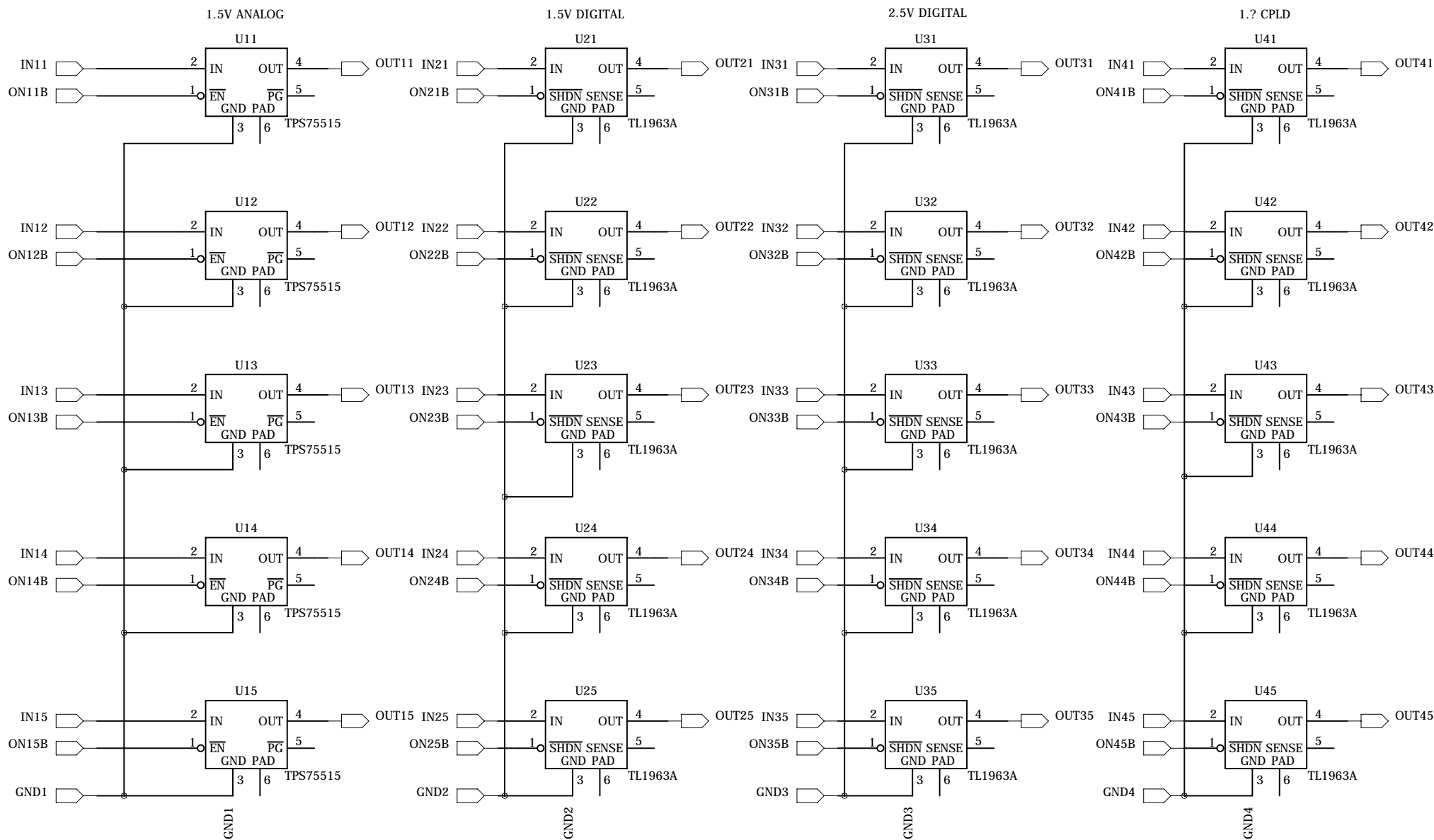
Work in progress 2013-02-01

<b>IN1-4</b>		<b>LUND UNIVERSITY</b>	
TITLE: <b>LV-CARD</b>		DRAWING NO: <b>&lt;Drawing Number&gt;</b>	
DRAWN: <b>Lennart</b>	DATE: <b>&lt;Drawn Date&gt;</b>	SHEET: 1 OF 12	



Work in progress 2013-02-01

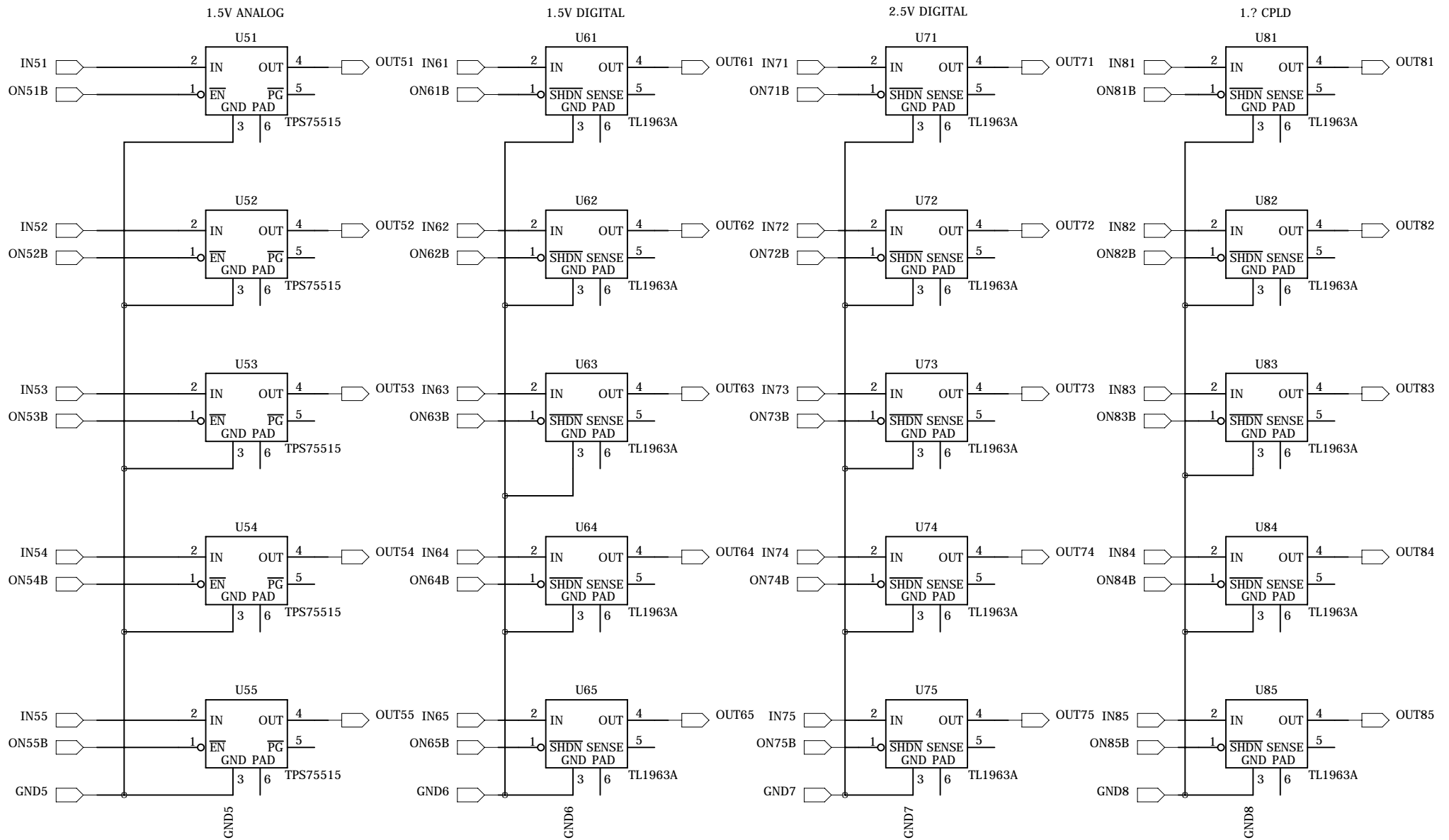
<b>IN5-8</b>		<b>LUND UNIVERSITY</b>	
TITLE: <b>LV-CARD</b>		DRAWING NO: <b>&lt;Drawing Number&gt;</b>	
DRAWN: <b>Lennart</b>	DATE: <b>&lt;Drawn Date&gt;</b>	SHEET: 2 OF 12	



To do:  
Anslut pad pa reg.  
Välj rätt regulator

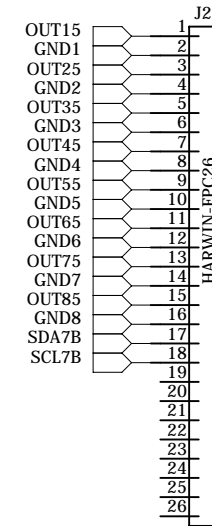
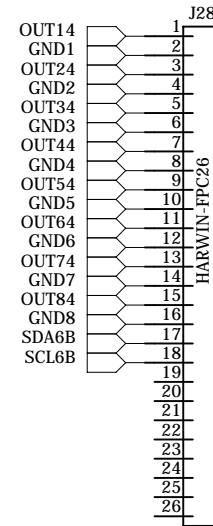
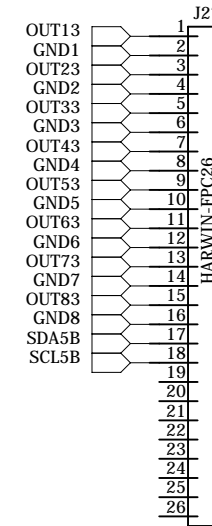
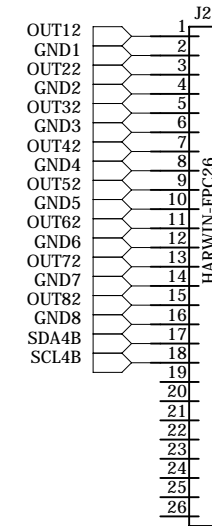
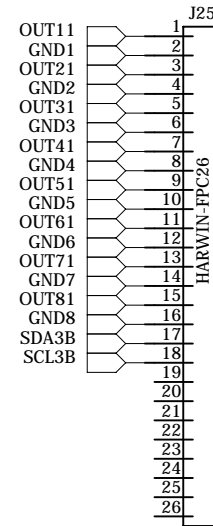
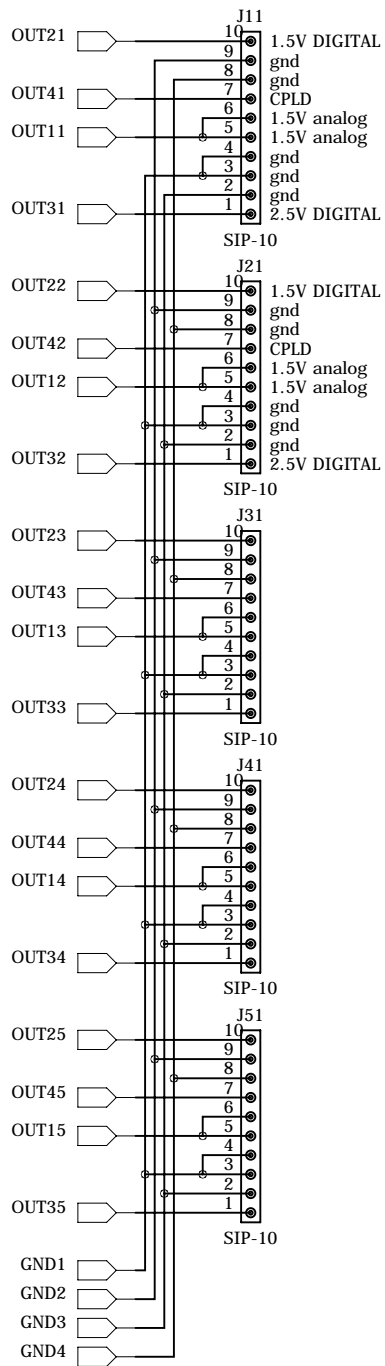
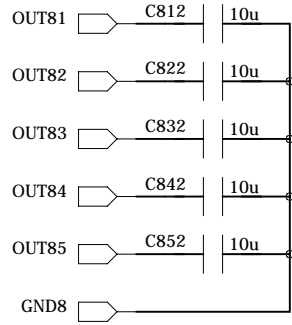
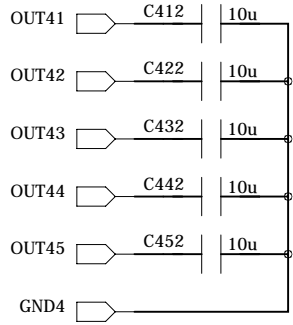
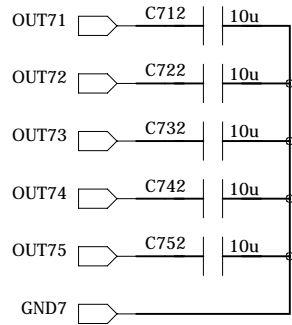
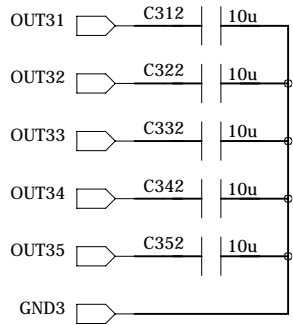
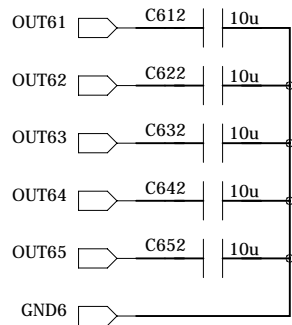
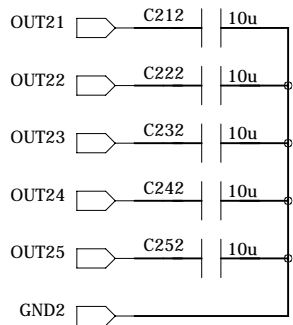
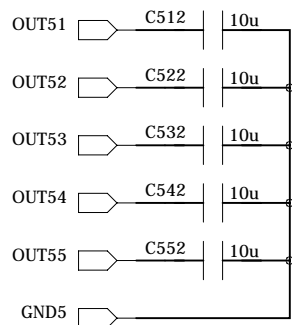
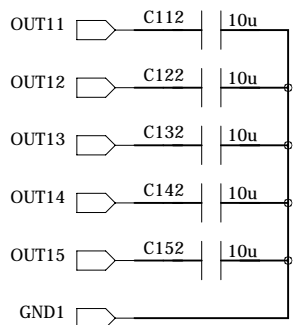
Work in progres 2013-02-01

<b>REG1-4</b>		<b>LUND UNIVERSITY</b>	
TITLE: <b>LV-CARD</b>		DRAWING NO: <b>&lt;Drawing Number&gt;</b>	
DRAWN: <b>Lennart</b>	DATE: <b>&lt;Drawn Date&gt;</b>	SHEET: 3 OF 12	



Work in progress 2013-02-01

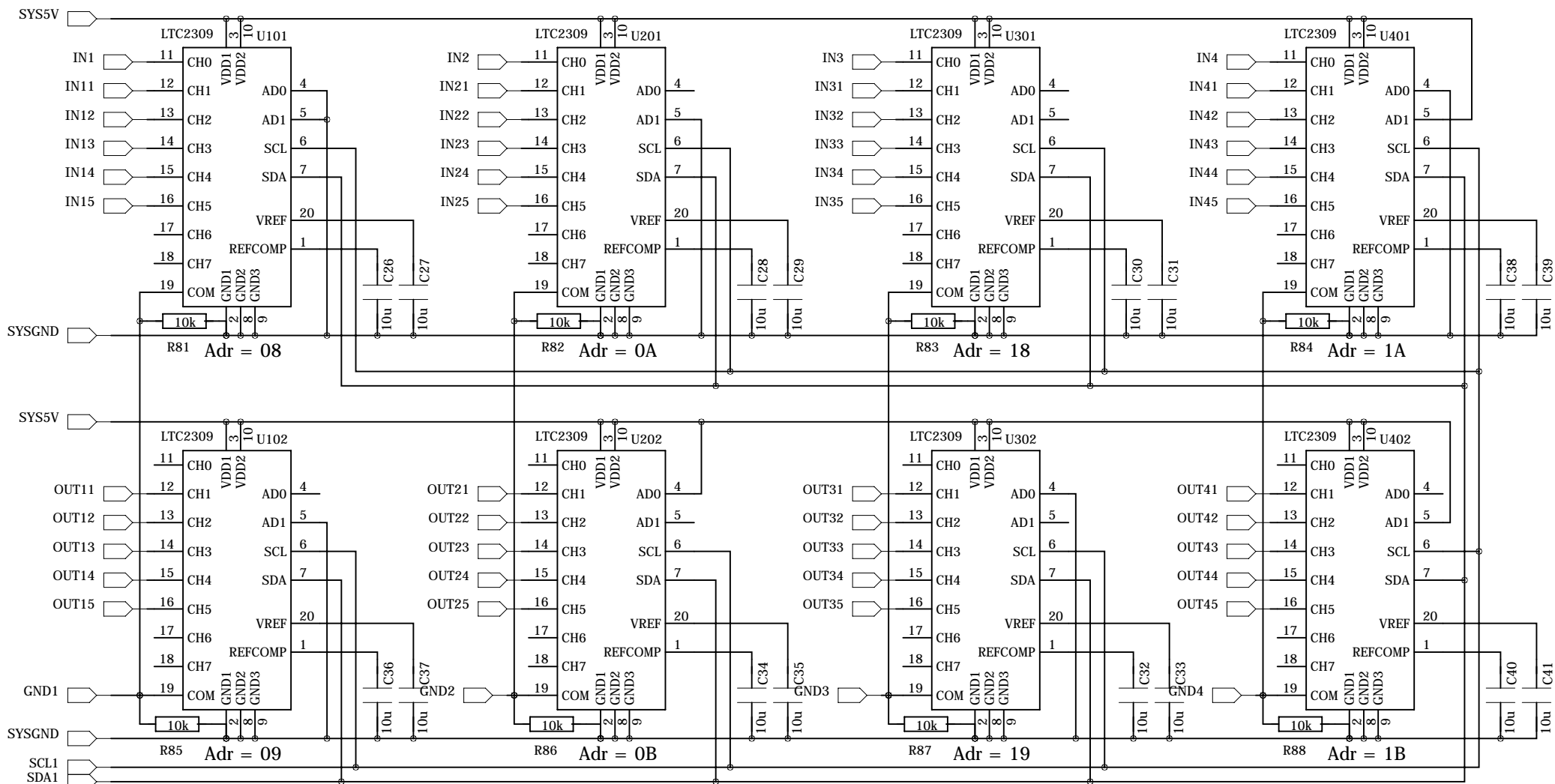
<b>REG5-8</b>		<b>LUND UNIVERSITY</b>	
TITLE: <b>LV-CARD</b>		DRAWING NO: <b>&lt;Drawing Number&gt;</b>	
DRAWN: <b>Lennart</b>	DATE: <b>&lt;Drawn Date&gt;</b>	SHEET: 4 OF 12	



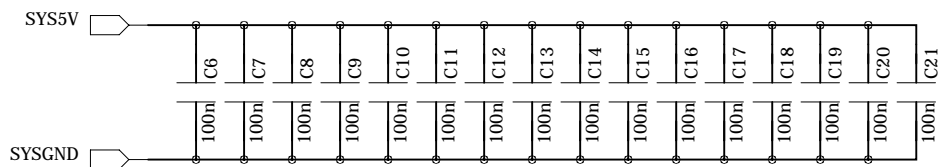
To do:  
Finn lämplig kontakt

Work in progress 2013-02-01

<b>OUT</b>		<b>LUND UNIVERSITY</b>	
TITLE: <b>LV-CARD</b>		DRAWING NO: <b>&lt;Drawing Number&gt;</b>	
DRAWN: <b>Lennart</b>	DATE: <b>&lt;Drawn Date&gt;</b>	SHEET: 5 OF 12	



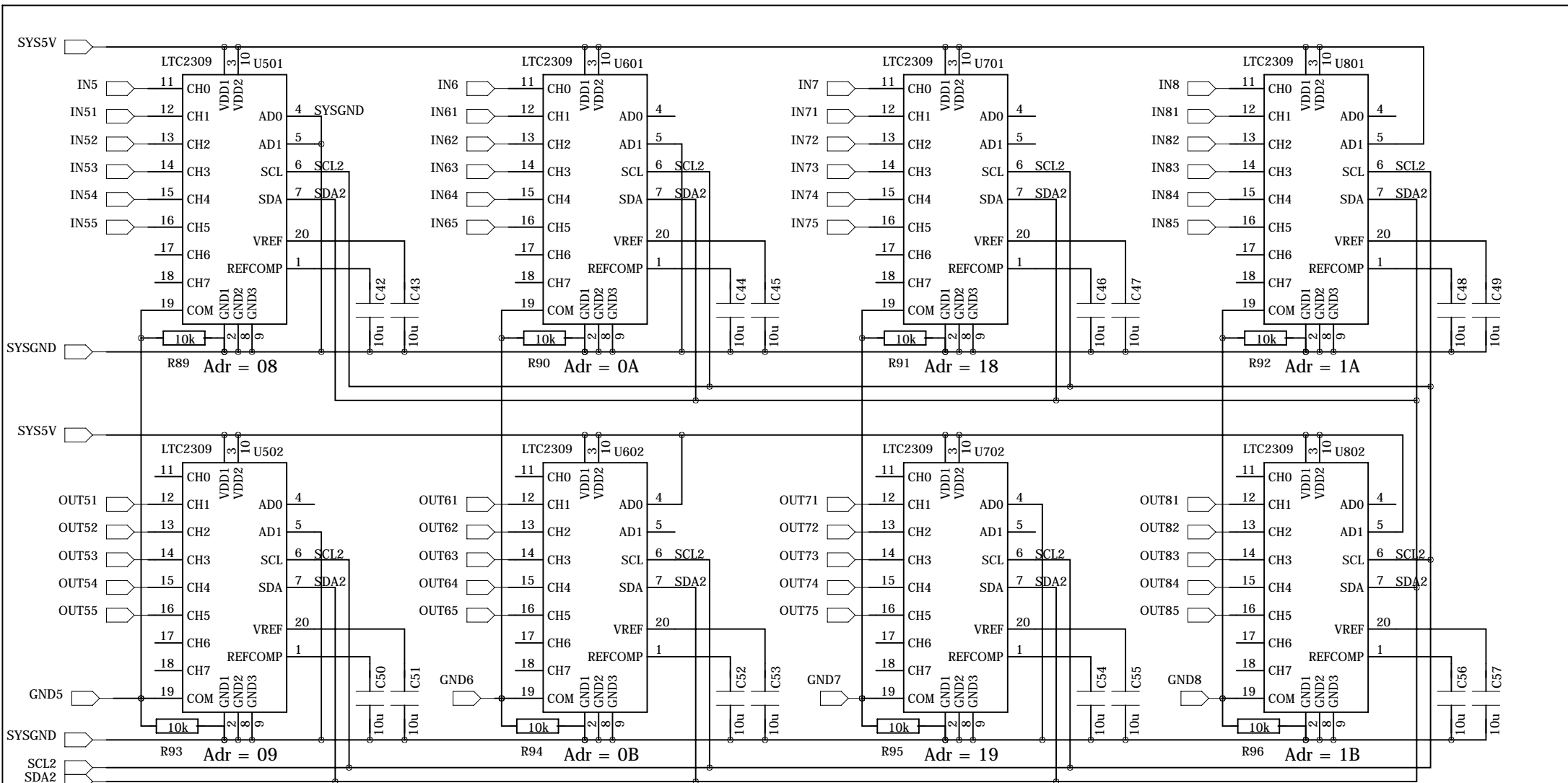
To do:  
Anslut alla mätpunkter  
Fler 10uF kondingar



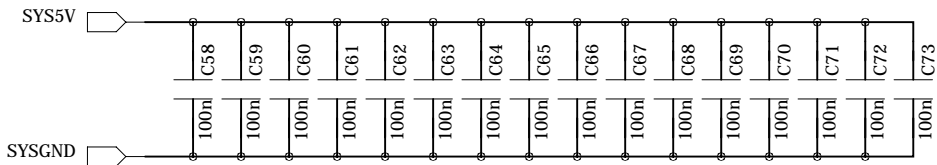
AD1	ADO	ADDRESS
L	L	08
L	-	09
L	H	0A
-	H	0B
-	-	18
-	L	19
H	L	1A
H	-	1B
H	H	28
X	X	6B

Work in progress 2013-02-01

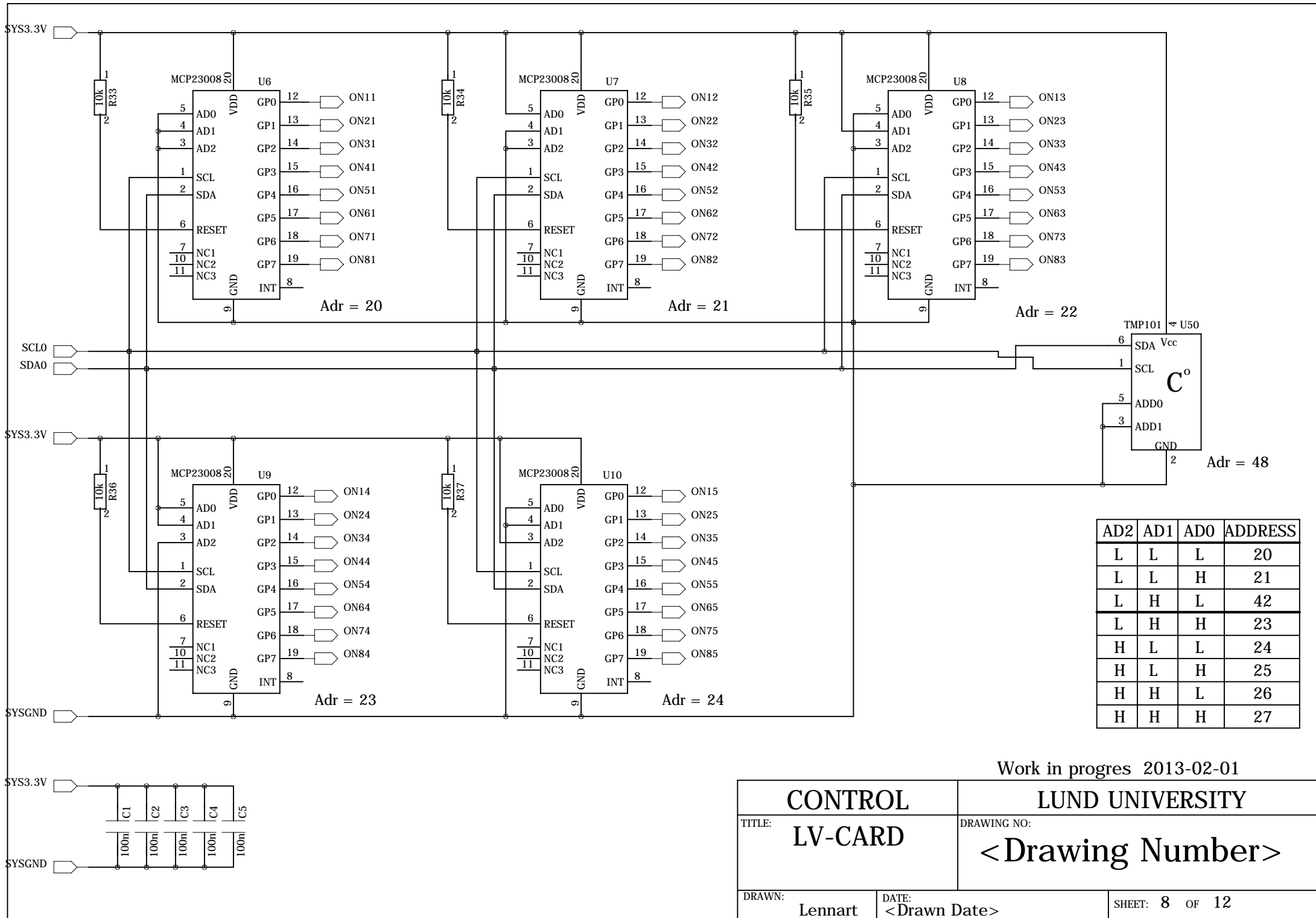
ADC1-4		LUND UNIVERSITY	
TITLE: <b>LV-CARD</b>		DRAWING NO: <b>&lt;Drawing Number&gt;</b>	
DRAWN: Lennart	DATE: <Drawn Date>	SHEET: 6 OF 12	



Work in progress 2013-02-01



<b>ADC5-8</b>		<b>LUND UNIVERSITY</b>	
TITLE: <b>LV-CARD</b>		DRAWING NO: <b>&lt;Drawing Number&gt;</b>	
DRAWN: <b>Lennart</b>	DATE: <b>&lt;Drawn Date&gt;</b>	SHEET: 7 OF 12	



Work in progress 2013-02-01

CONTROL

LUND UNIVERSITY

TITLE: LV-CARD

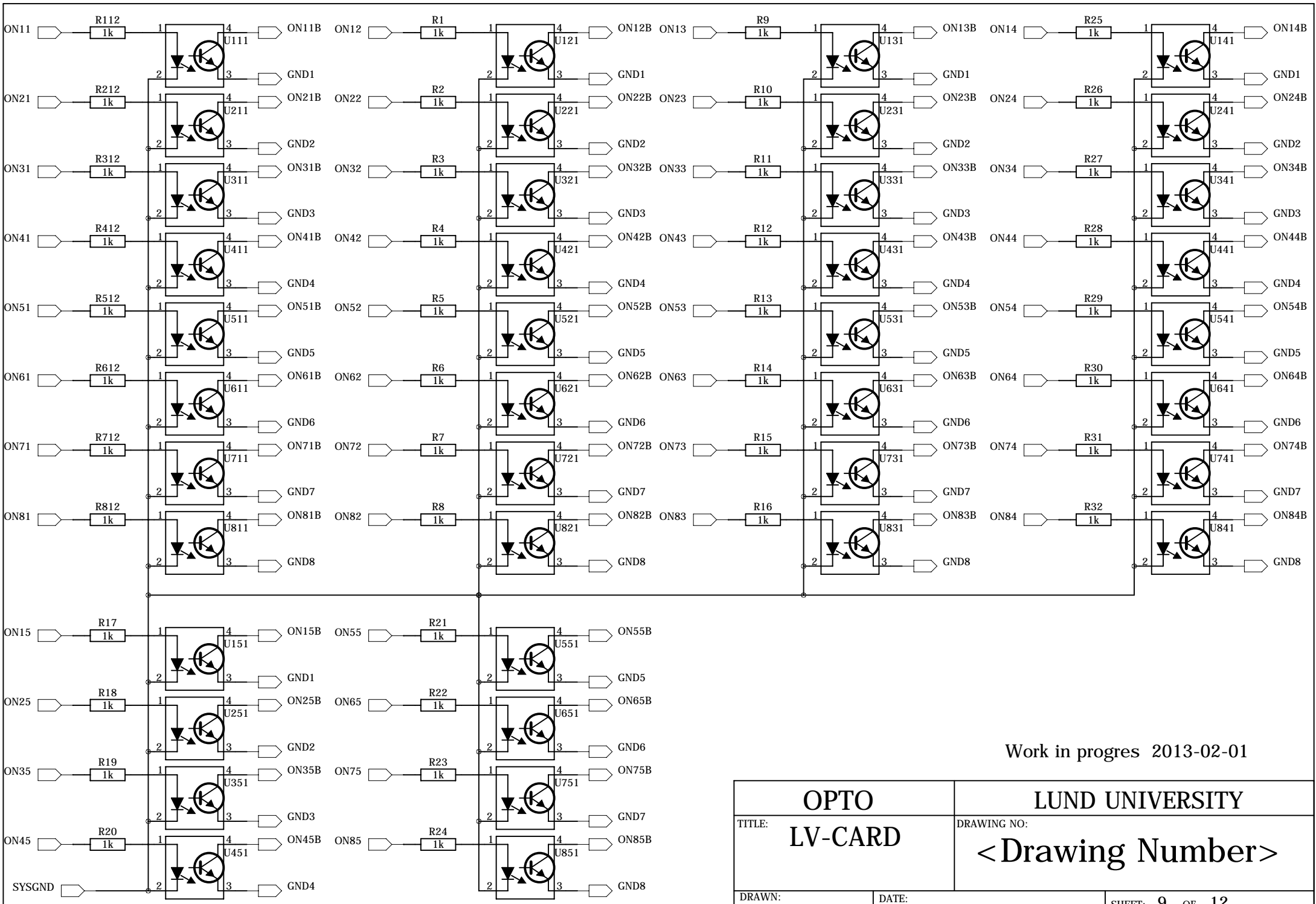
DRAWING NO: <Drawing Number>

DRAWN: Lennart

DATE: <Drawn Date>

SHEET: 8 OF 12

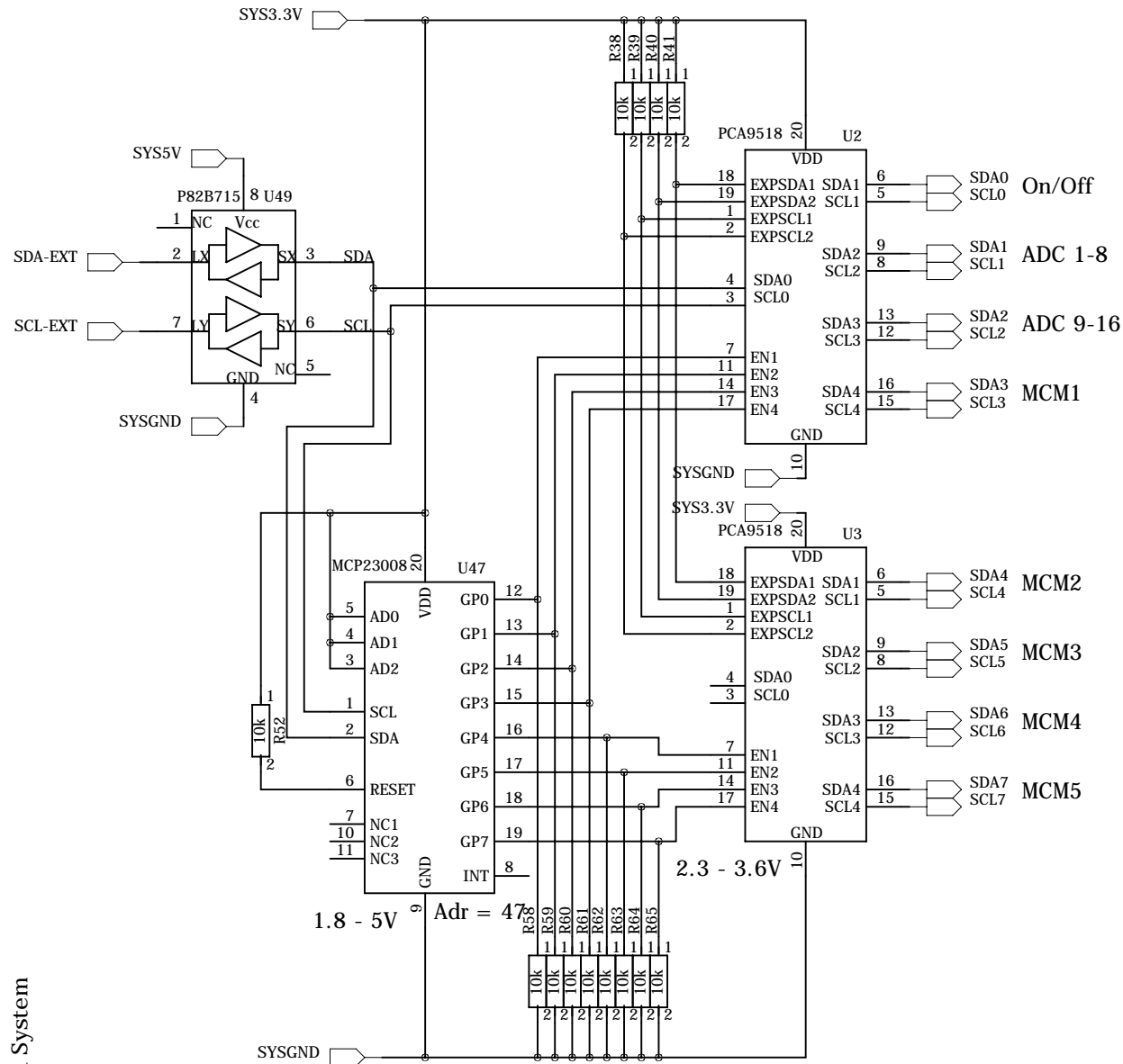
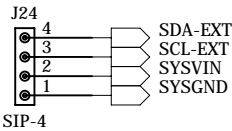




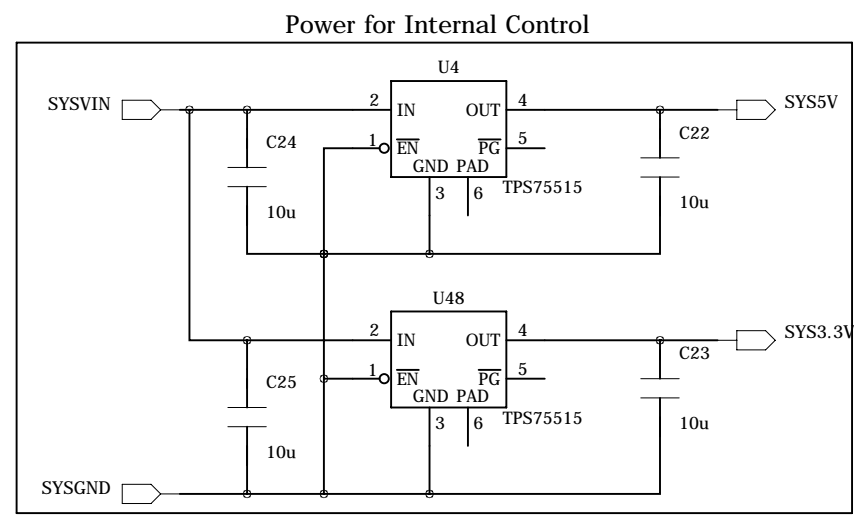
Work in progress 2013-02-01

<b>OPTO</b>		<b>LUND UNIVERSITY</b>	
TITLE: <b>LV-CARD</b>		DRAWING NO: <b>&lt;Drawing Number&gt;</b>	
DRAWN: <b>Lennart</b>	DATE: <b>&lt;Drawn Date&gt;</b>	SHEET: 9 OF 12	

To/From I2C Control System

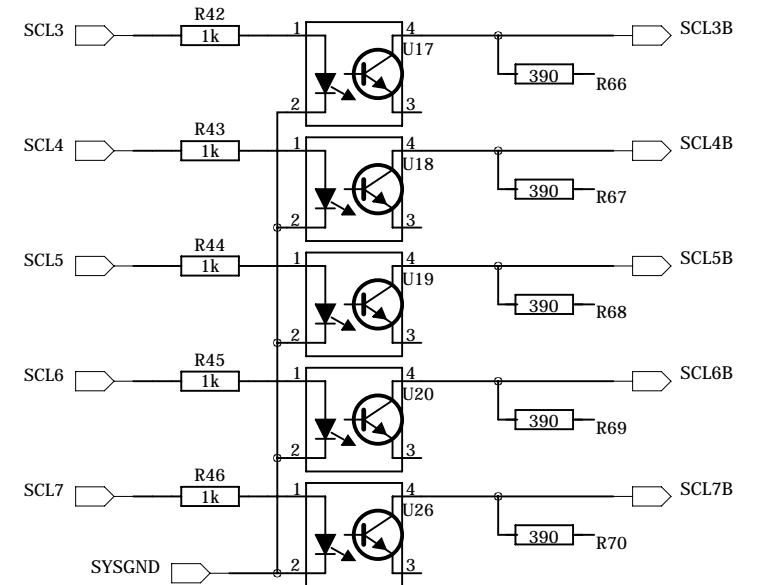
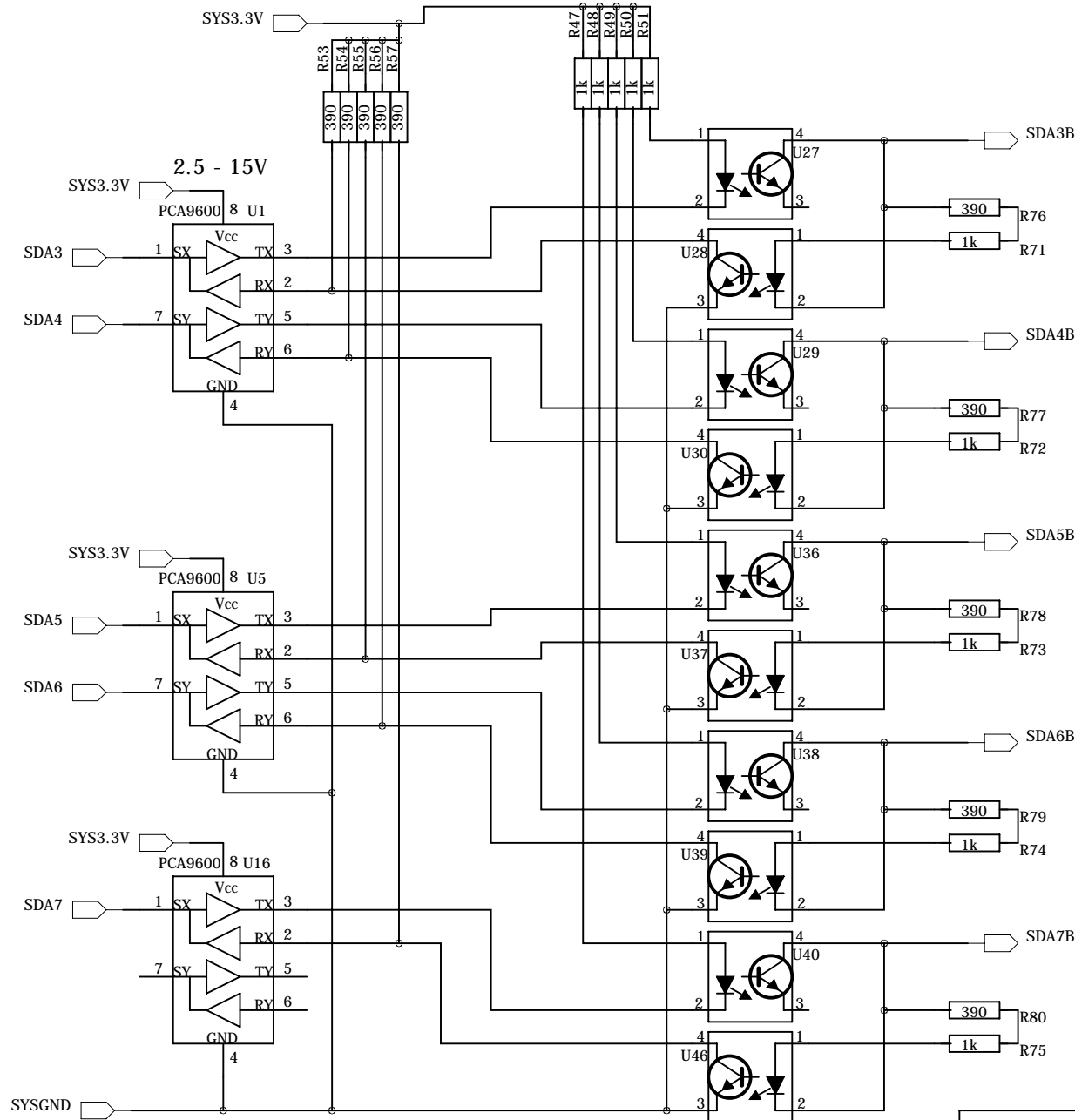


To do:  
 Avkopplingkondingar  
 Pull upp på I2C linjerna?



Work in progres 2013-02-01

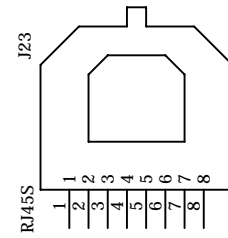
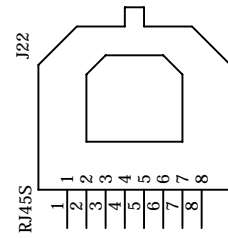
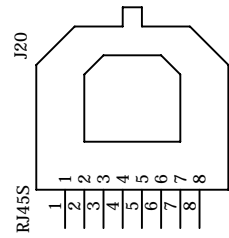
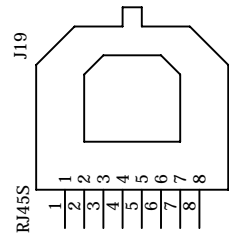
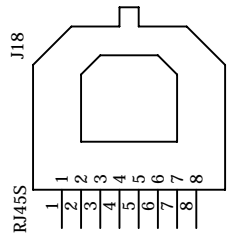
<b>I2C-1</b>		<b>LUND UNIVERSITY</b>	
TITLE: <b>LV-CARD</b>		DRAWING NO: <b>&lt;Drawing Number&gt;</b>	
DRAWN: <b>Lennart</b>	DATE: <b>&lt;Drawn Date&gt;</b>	SHEET: 10 OF 12	



To do:  
 Avkopplingskondensatorer  
 Kolla upp resistorvärde  
 Anslut till rätt power  
 Extra drivning av lysdiod i optokopplare

Work in progress 2013-02-01

<b>I2C-2</b>		<b>LUND UNIVERSITY</b>	
TITLE: <b>LV-CARD</b>		DRAWING NO: <b>&lt;Drawing Number&gt;</b>	
DRAWN: <b>Lennart</b>	DATE: <b>&lt;Drawn Date&gt;</b>	SHEET: 11 OF 12	



Work in progres 2013-02-01

<b>RJ45</b>		<b>LUND UNIVERSITY</b>	
TITLE: <b>LV-CARD</b>		DRAWING NO: <b>&lt;Drawing Number&gt;</b>	
DRAWN: <b>Lennart</b>	DATE: <b>&lt;Drawn Date&gt;</b>	SHEET: 12 OF 12	