

6

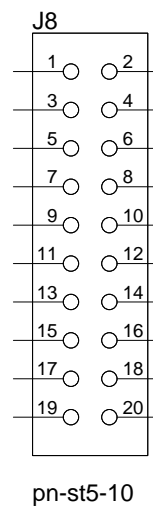
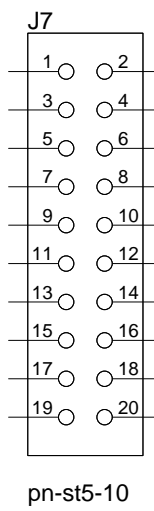
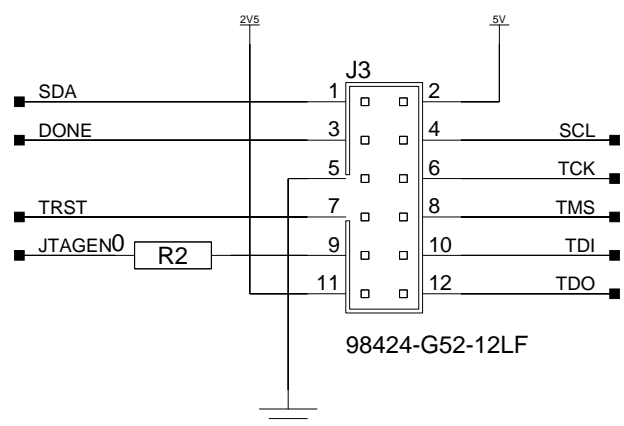
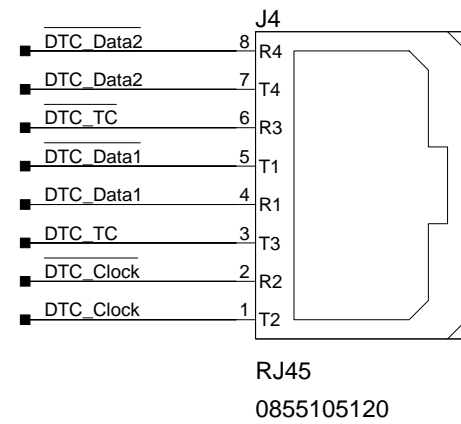
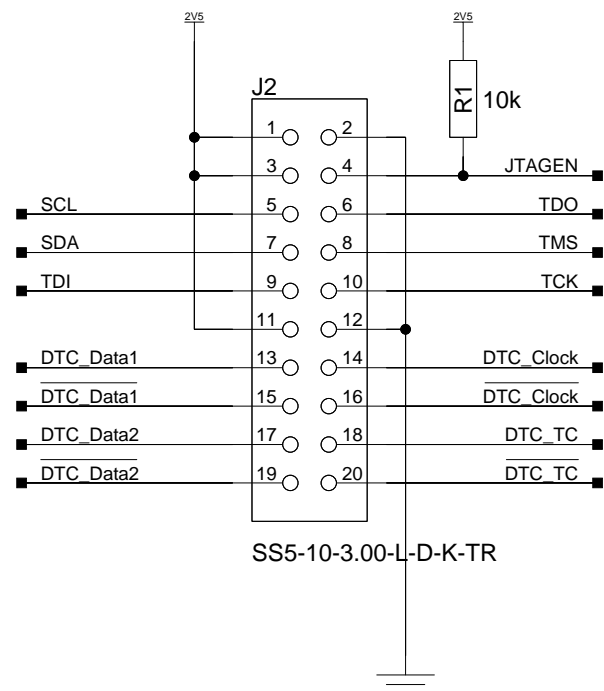
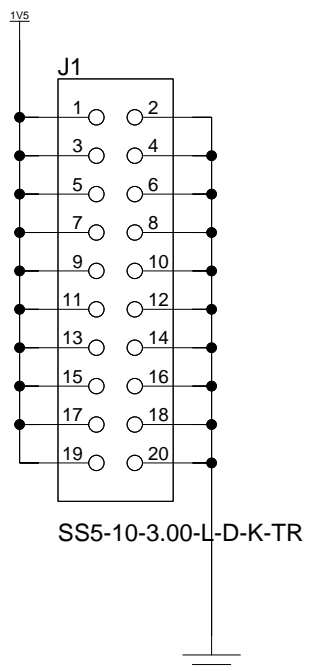
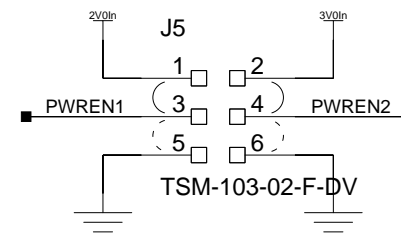
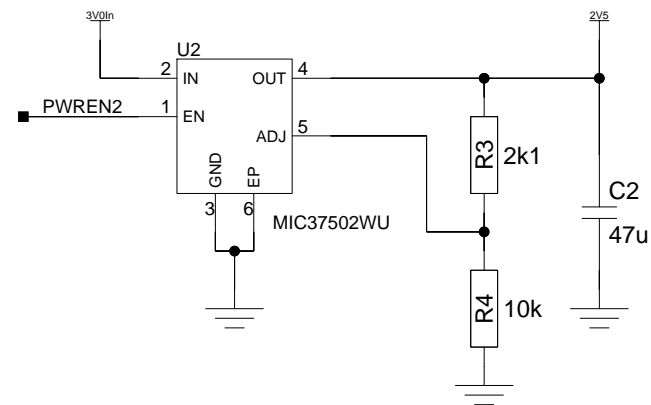
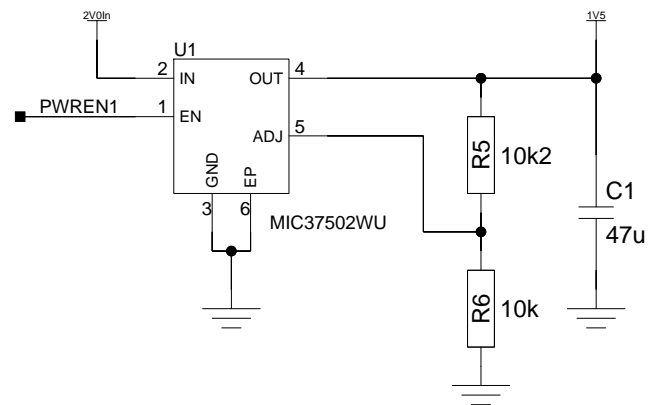
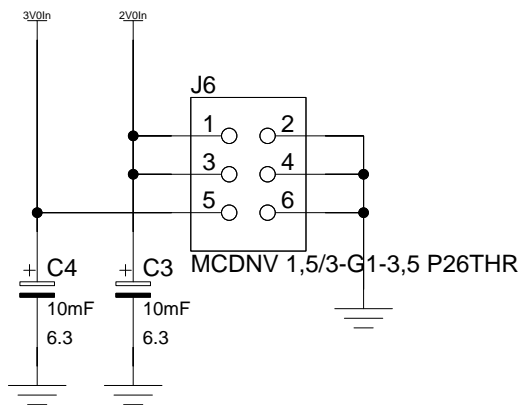
5

4

3

2

1



LUND
UNIVERSITY

TITLE		
LV-board for single MCM		
SIZE	DWG NO	REV
A3		0
DRAWN BY		SHEET
Björn Lundberg		1 of 1
SCALE		18/10/2019:15:06

6

5

4

3

2

1