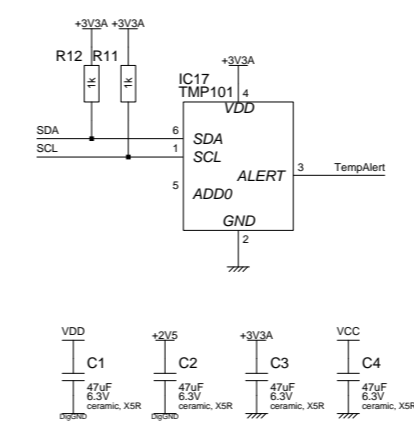
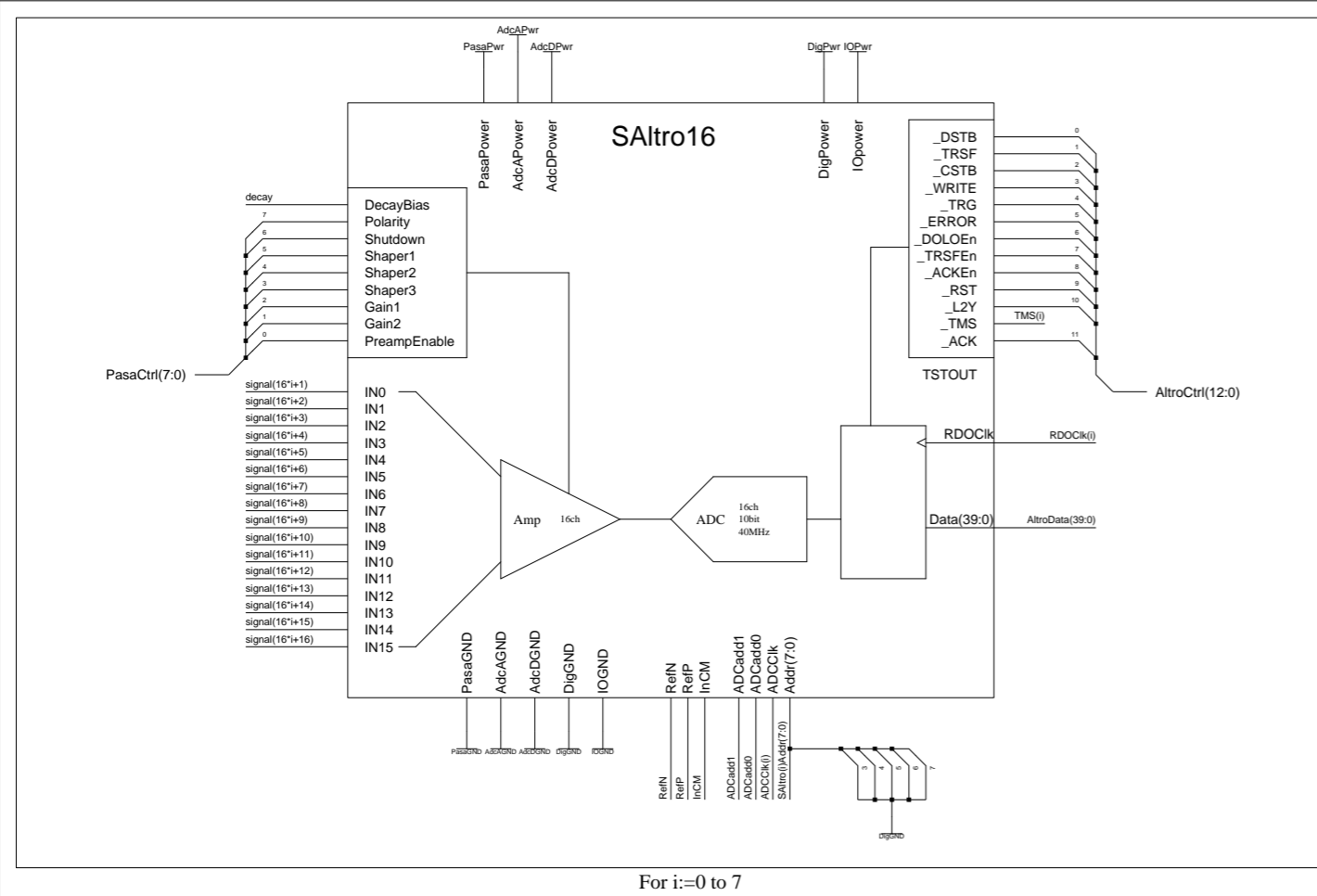
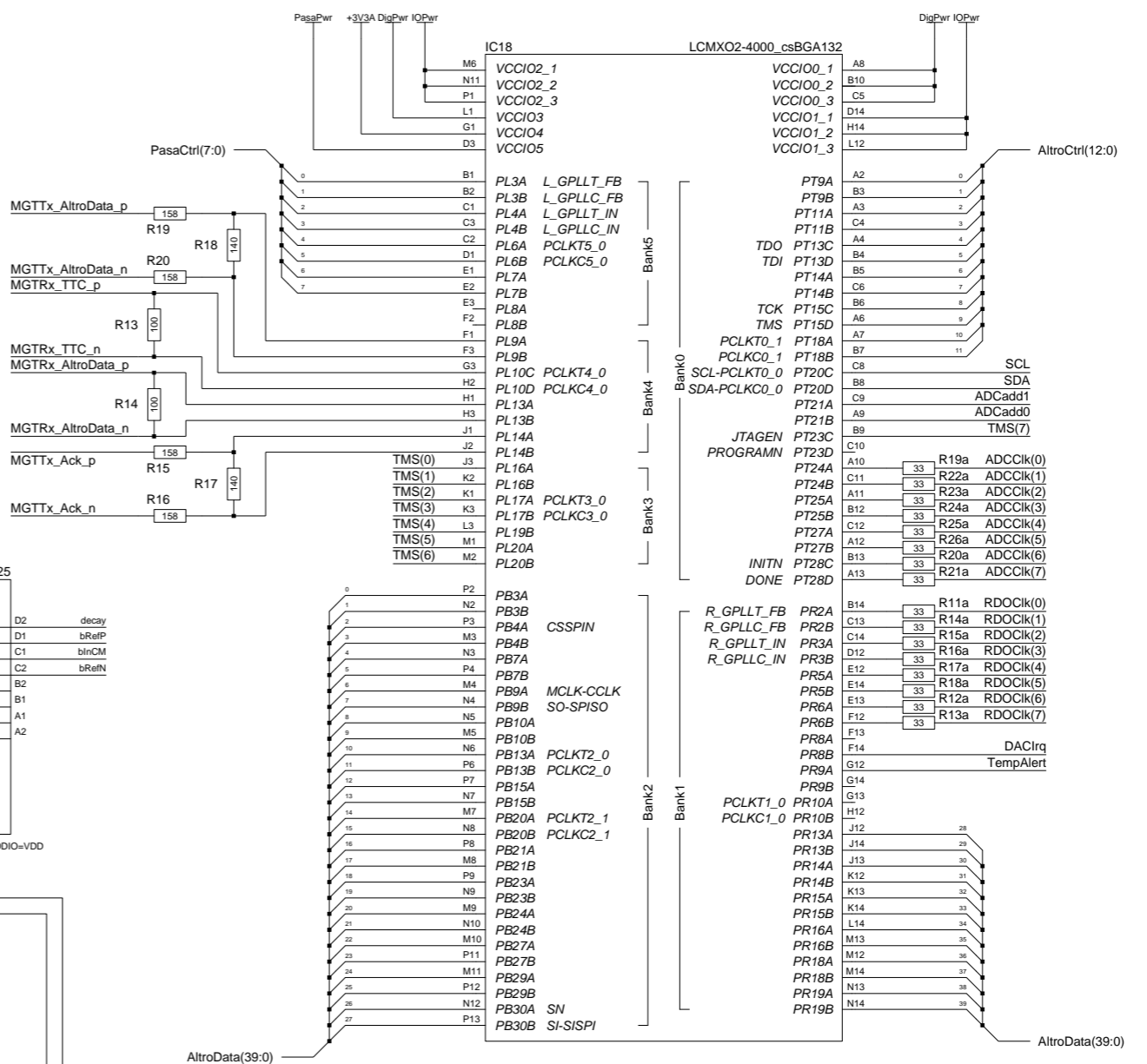
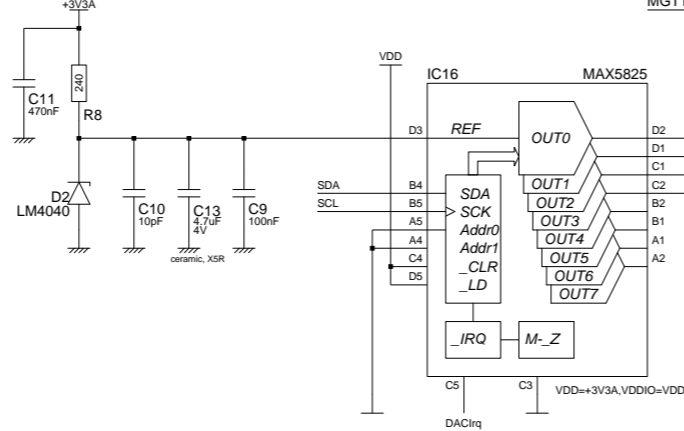
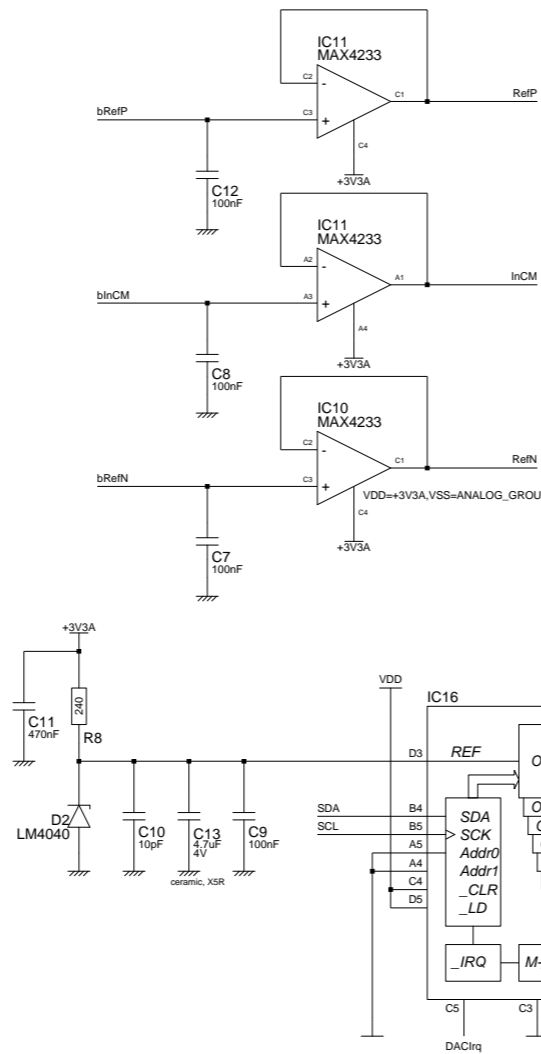
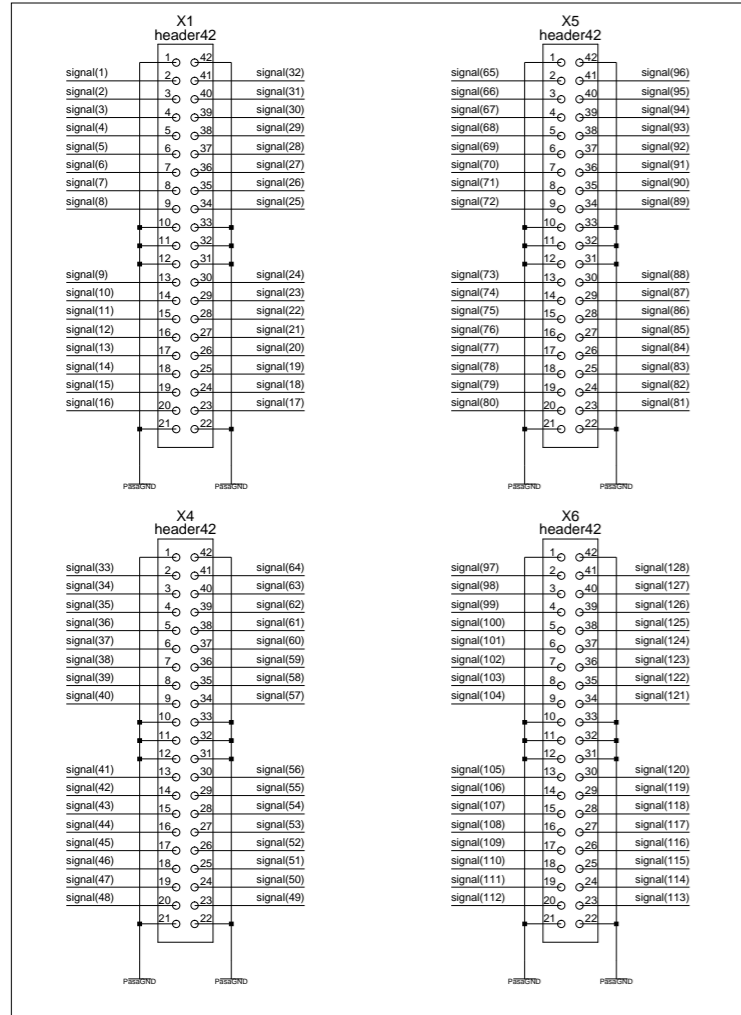


Input connectors from pad board



| | | |
|----------------------------|---|-----------------------|
| Engineer Bjorn Lundberg | Particle Physics Lund University Lund, Sweden | |
| Drawn by Bjorn | TITLE: SAItro16 Multi-Chip Module | |
| R&D CHK | MCM ILCTPC | |
| MFG ENGR CHK | REV 1.2 | Drawing Number 1 |
| Changed by | Date Changed Wednesday, January 8 2013 | Time Changed 18:35 |
| QA CHK | Sheet 1 | of 2 |

For i:=0 to 7