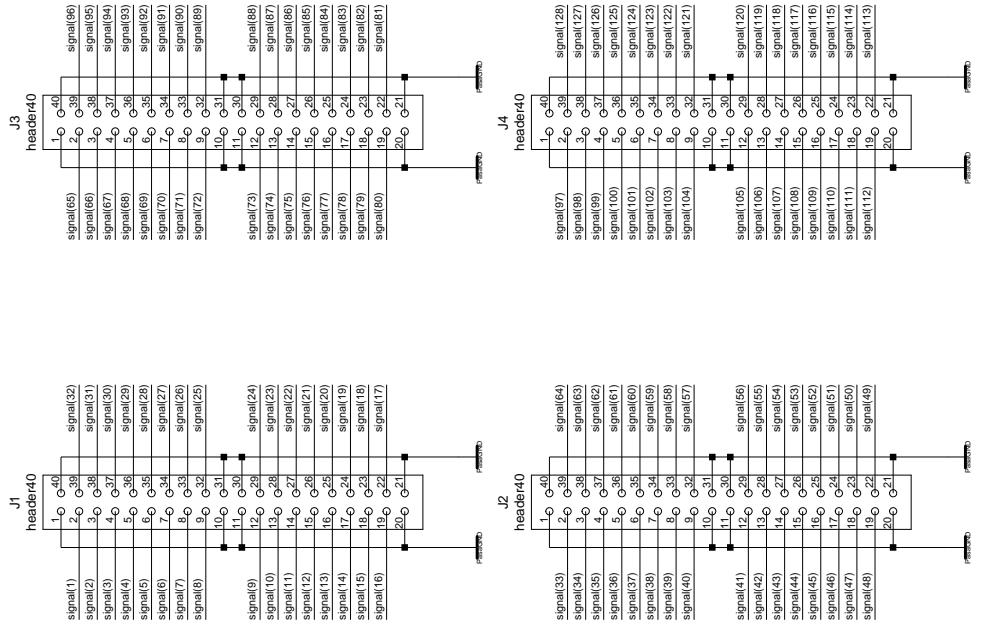
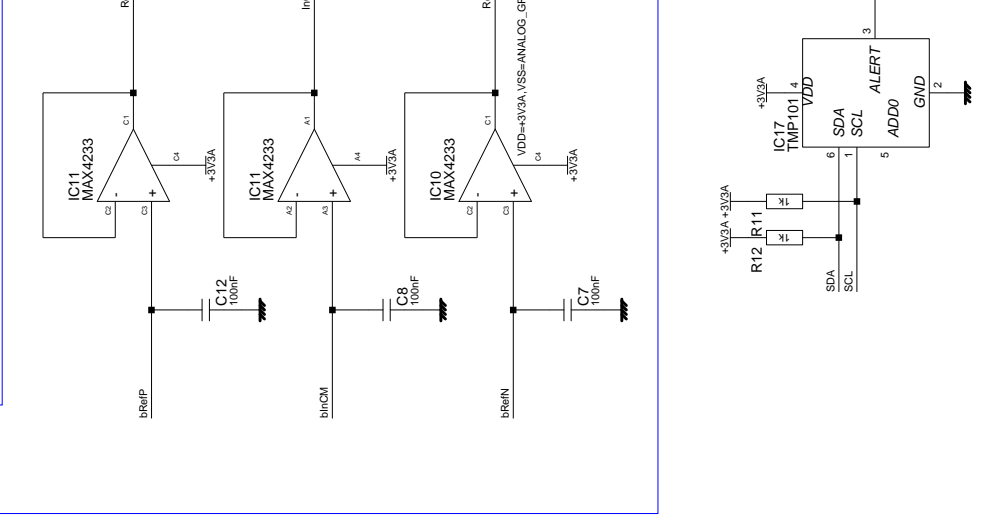


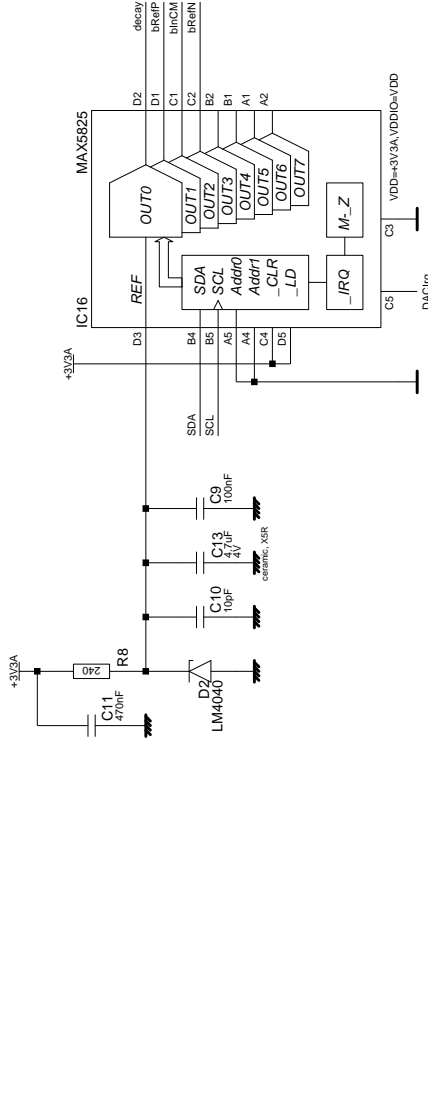
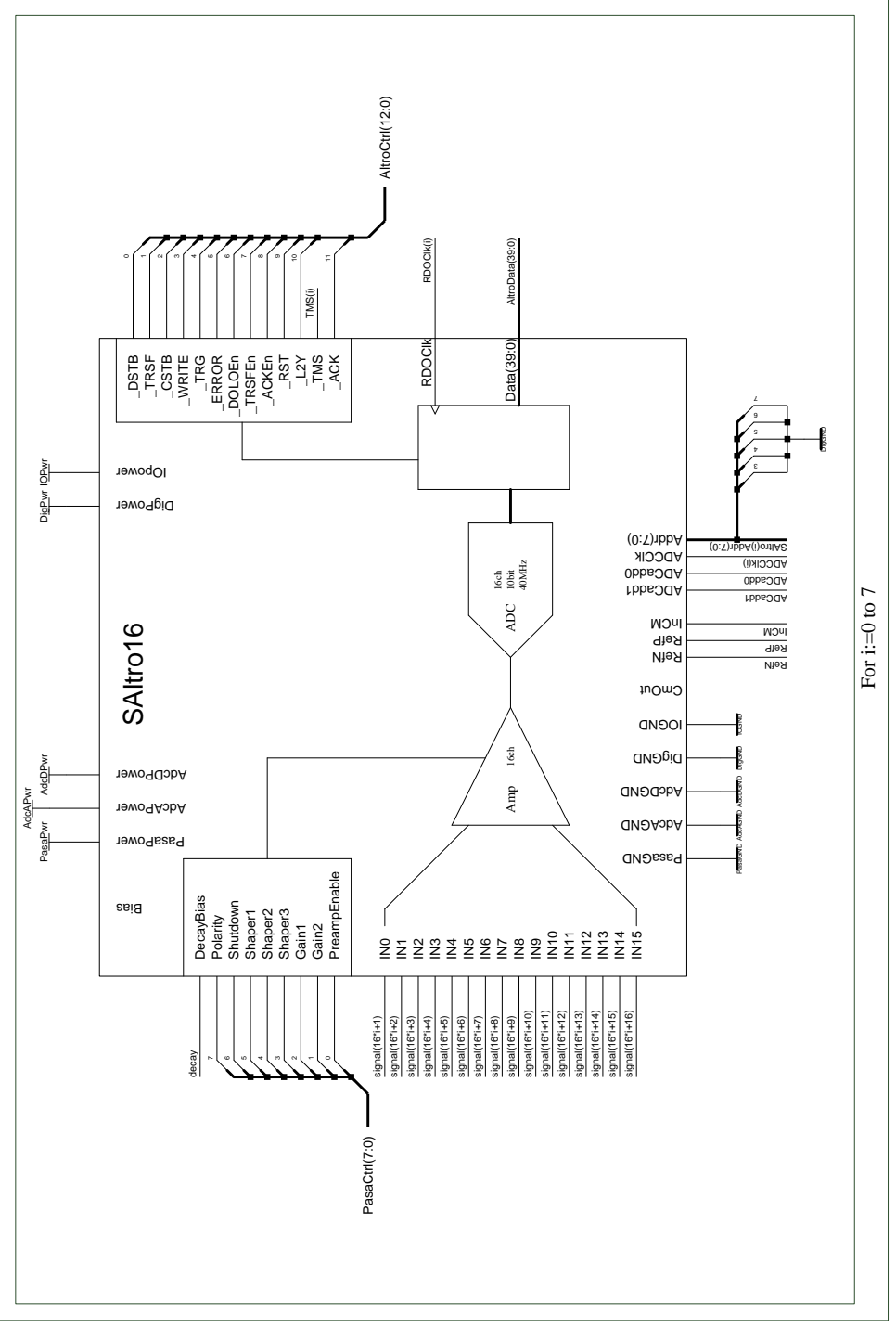
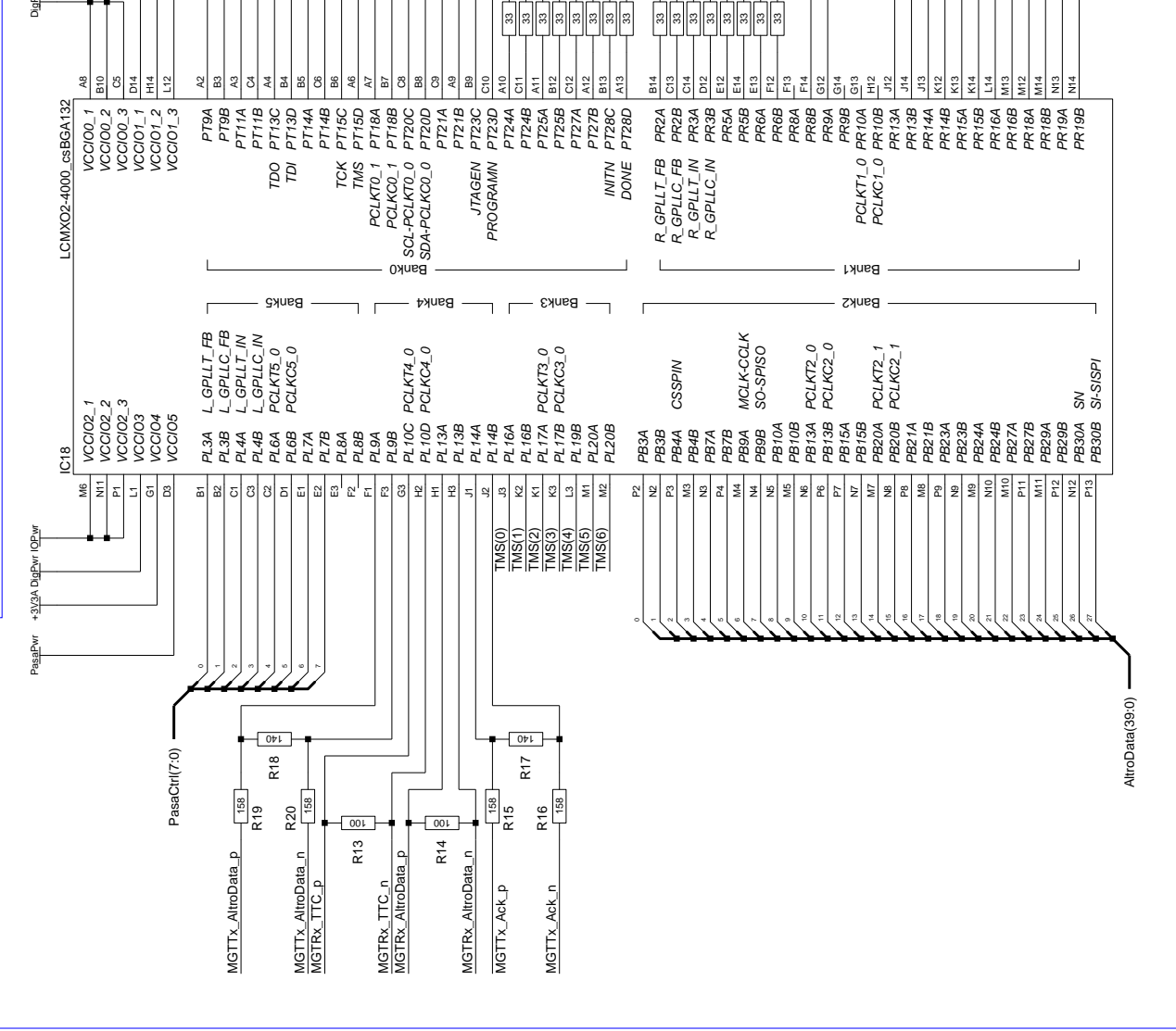
Input connectors from pad board



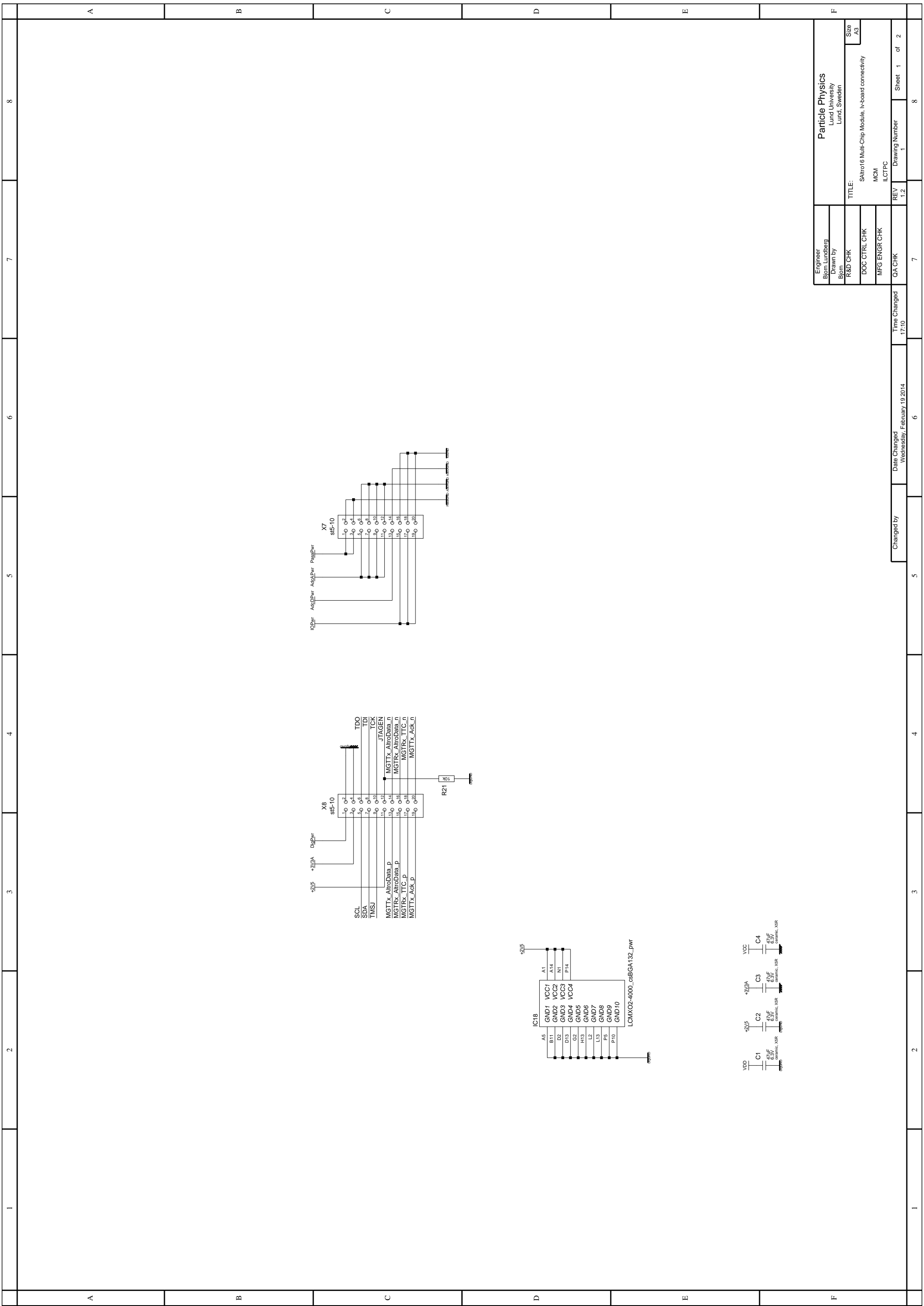
Reference buffers



MCM control & communication



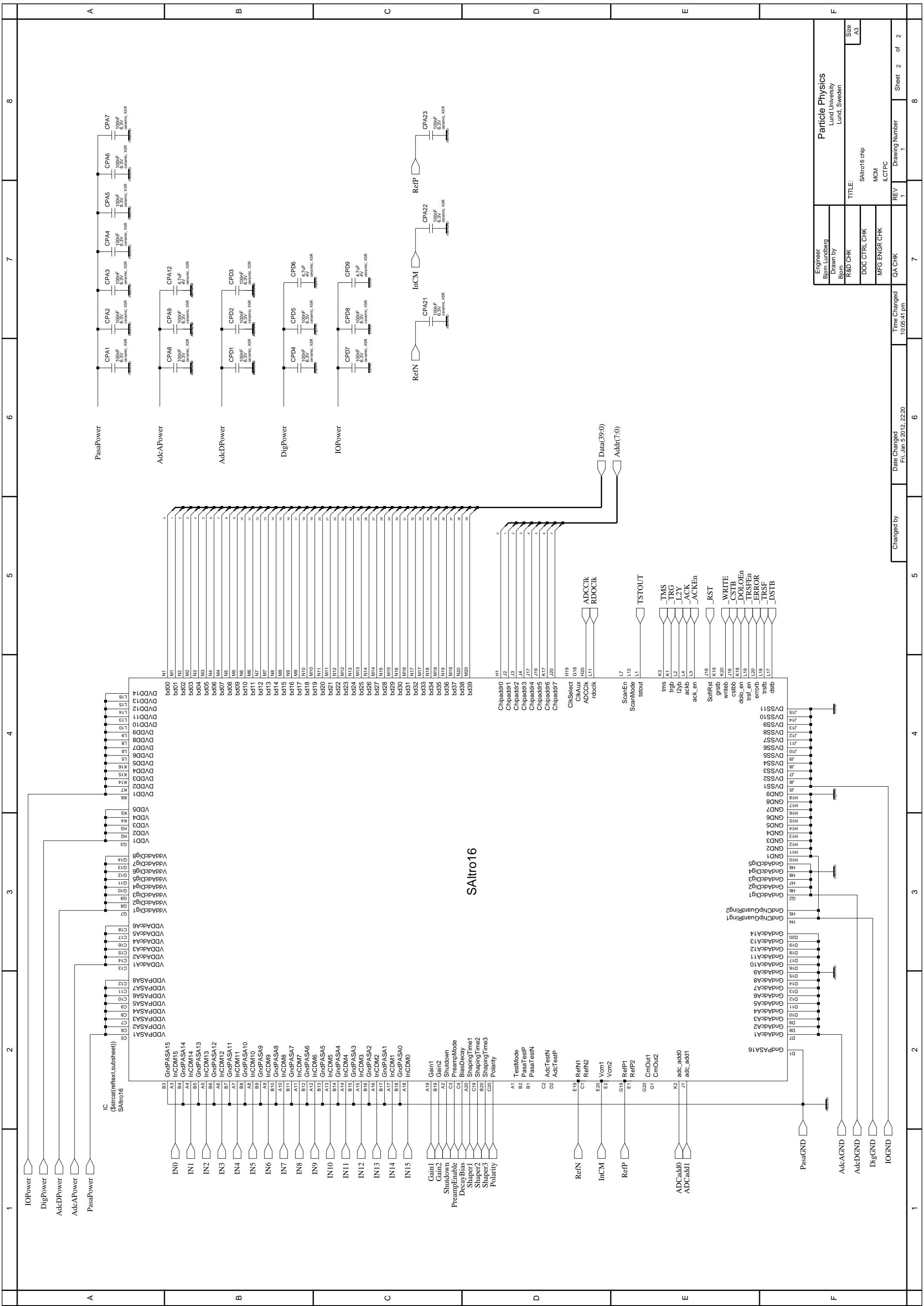
Engineer Biom Lundberg	Particle Physics Lund University Lund, Sweden
Drawn by Biom Lundberg	TITLE: SAItro16 Multi-Chip Module
R&D CHK	MCM
DOC CTRL CHK	ILCTPC
MFG ENGR CHK	
QA CHK	REV 1.2
Changed by BL	Time Changed Wednesday, February 19 2014 17:05
	Drawing Number 1
	Sheet 1 of 2



Engineer Björn Lundberg	Particle Physics Lund University Lund, Sweden
Drawn by Björn Lundberg	
R&D CHK	TITLE: SAltro16 Multi-Chip Module, In-board connectivity
DOC CTRL CHK	MCM
MFG ENGR CHK	ILCTPC
QA CHK	REV 1.2
	Drawing Number 1
	Sheet 1 of 2

Changed by	Date Changed Wednesday, February 19 2014	Time Changed 17:10
------------	---	-----------------------

1	2	3	4	5	6	7	8
---	---	---	---	---	---	---	---



Engineer Björn Lundberg	Particle Physics Lund University Lund, Sweden
Drawn by R&D CHK	TITLE: SAltro16 chip MCM
DOC CTRL CHK	REV 1
MFG ENGR CHK	Drawing Number 1
QA CHK	Sheet 2 of 2

Time Changed
Fri, Jan 5 2012, 22:20

Date Changed
Fri, Jan 5 2012, 22:20

Changed by

Time Changed
10:05:41 pm