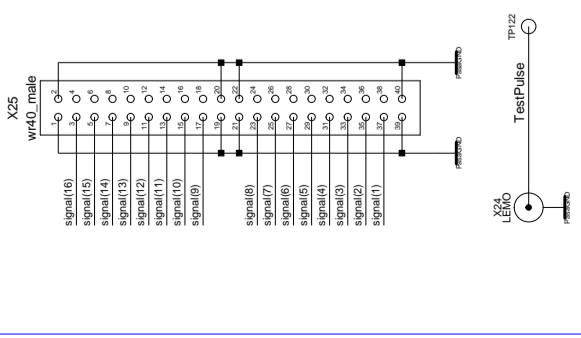
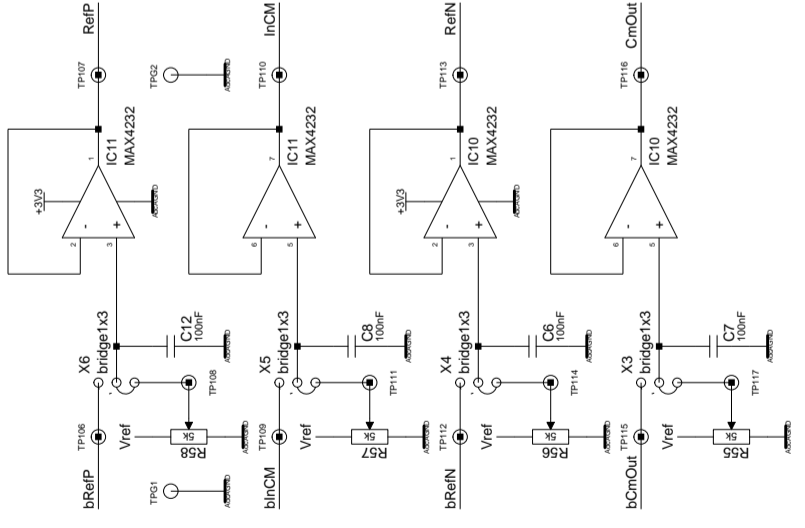


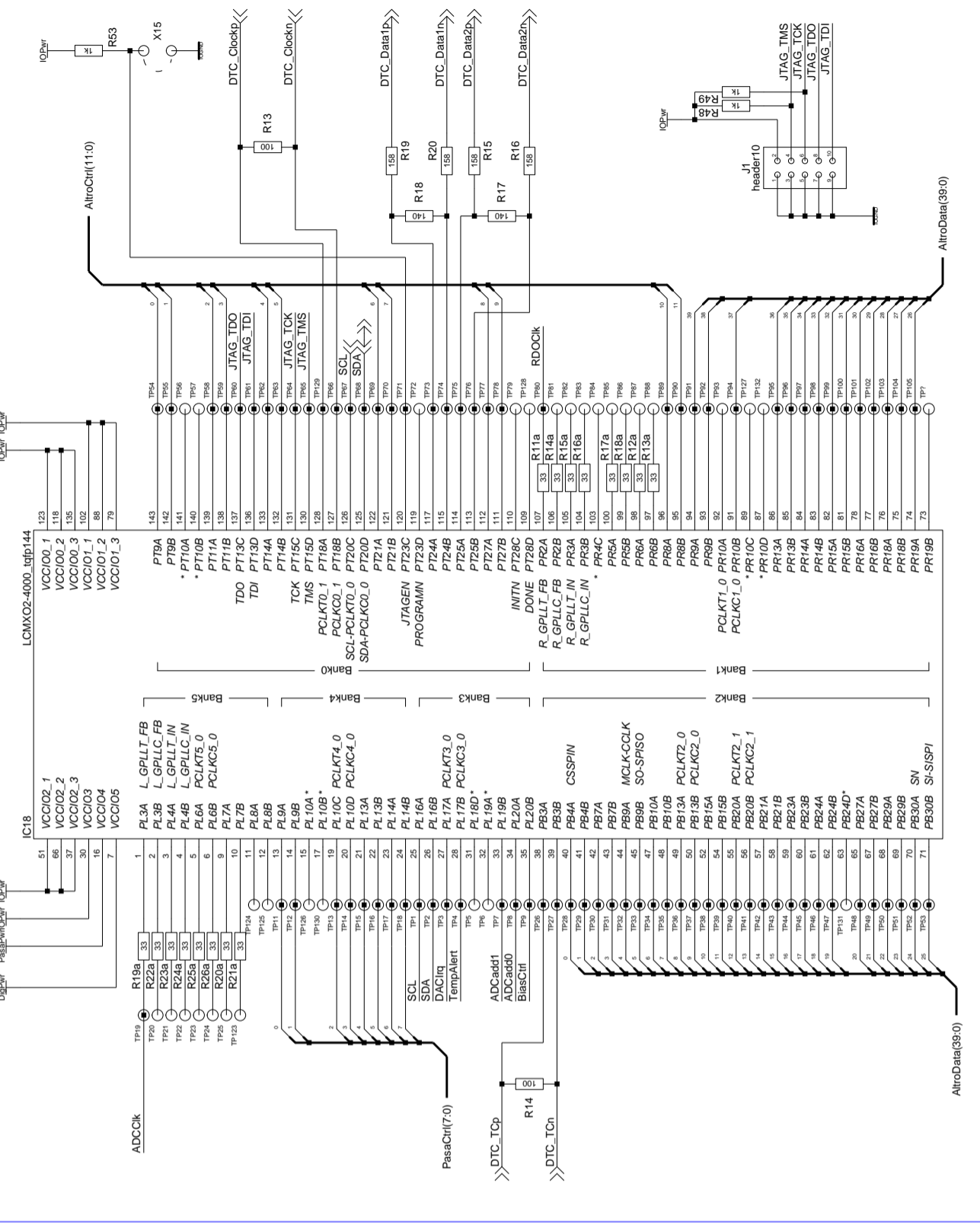
### Input connectors



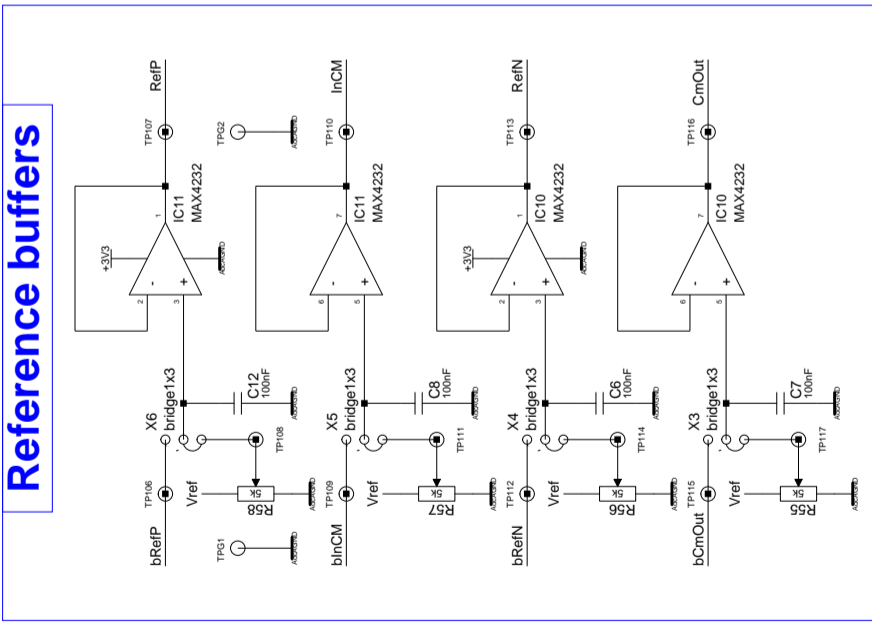
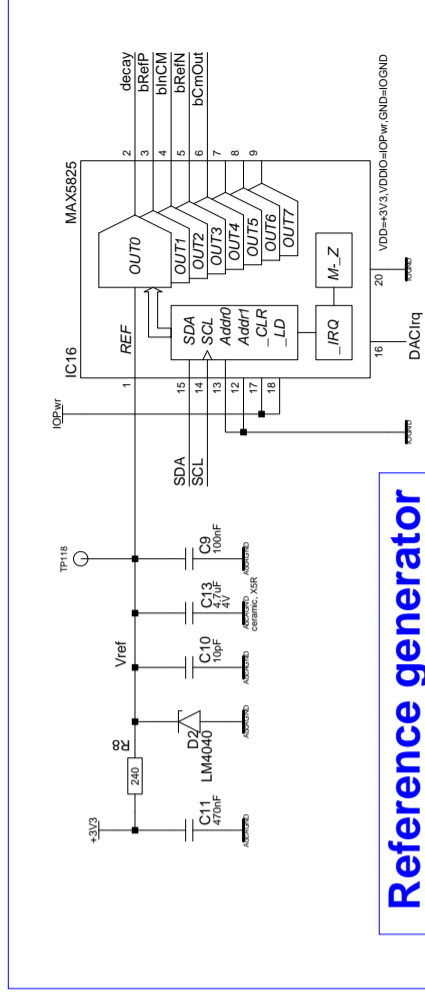
### Reference buffers



### MCM control & communication



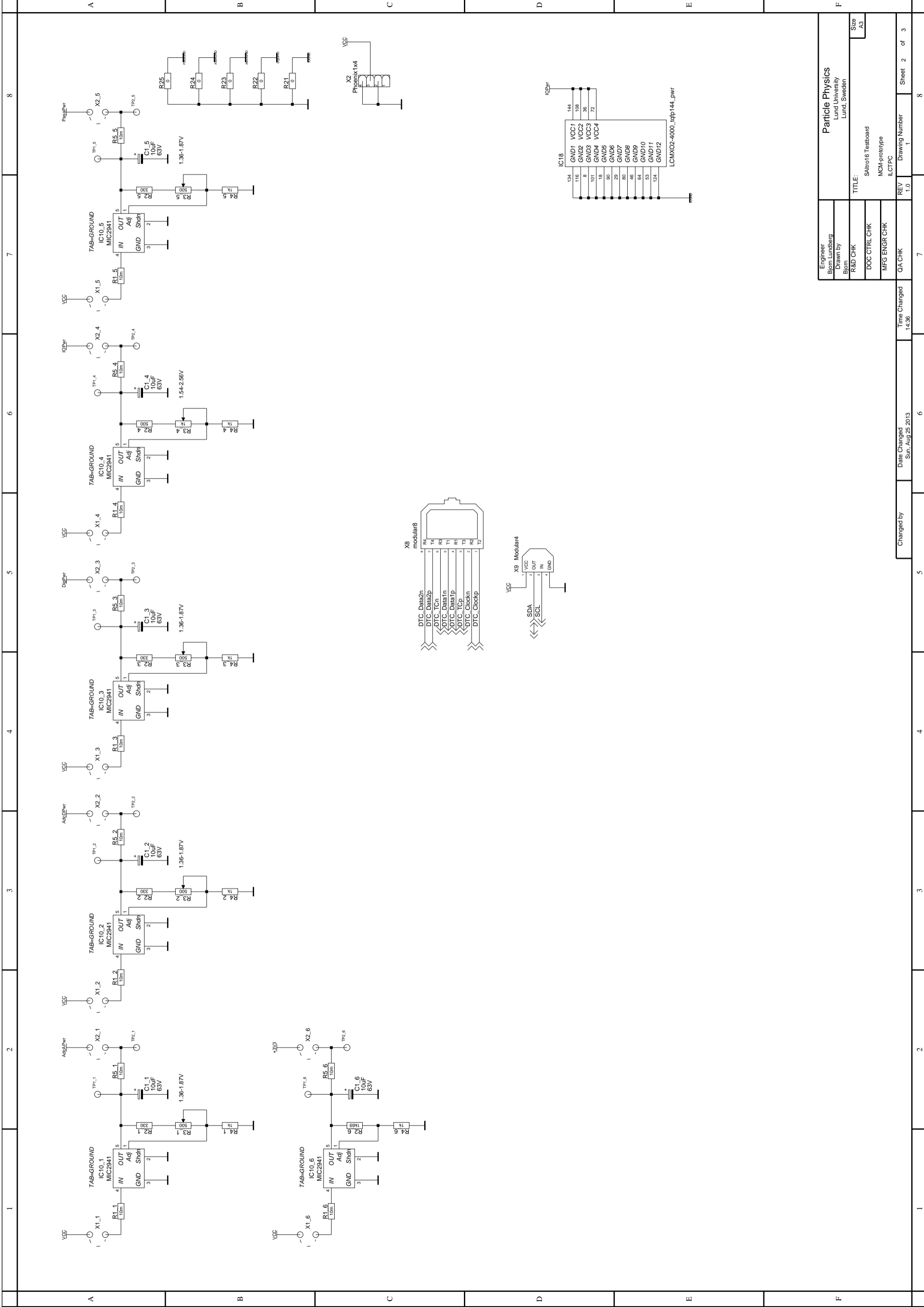
### Reference generator



Engineer Biom Lundberg	Particle Physics Lund University Lund, Sweden
Drawn by Biom	
DOC CTRL CHK	TITLE: Salitro16 Testboard MCM-prototype
MFG ENGR CHK	REV 1.0
QA CHK	Drawing Number 1
	Sheet 1 of 3

Date Changed  
Wed, Sep 25 2013  
Time Changed  
23:13

Changed by



Engineer Björn Lundberg	Particle Physics Lund University Lund, Sweden
Drawn by Björn Lundberg	TITLE: Saltro16 Testboard MCM-prototype ILCTPC
R&D CHK	REV 1.0
DOC CTRL CHK	Drawing Number 1
MFG ENGR CHK	Sheet 2 of 3
QA CHK	8

Time Changed  
Sun, Aug 25 2013  
14:36

Changed by

Date Changed  
Sun, Aug 25 2013  
14:36

7