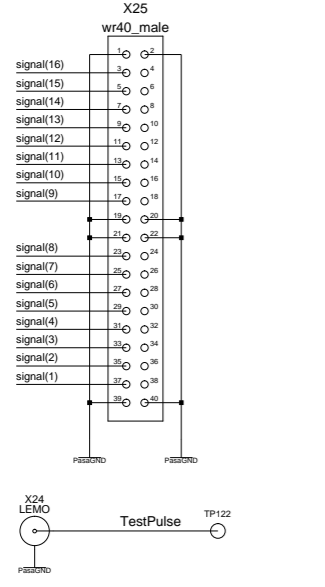
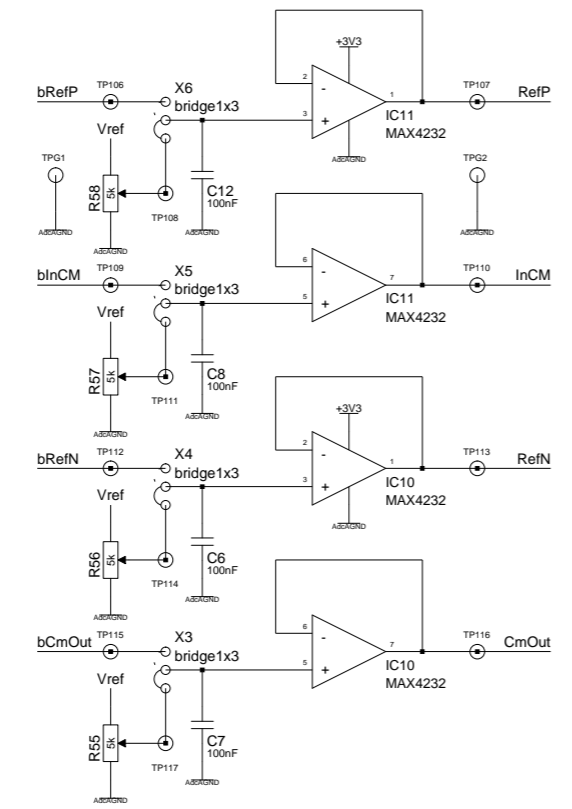


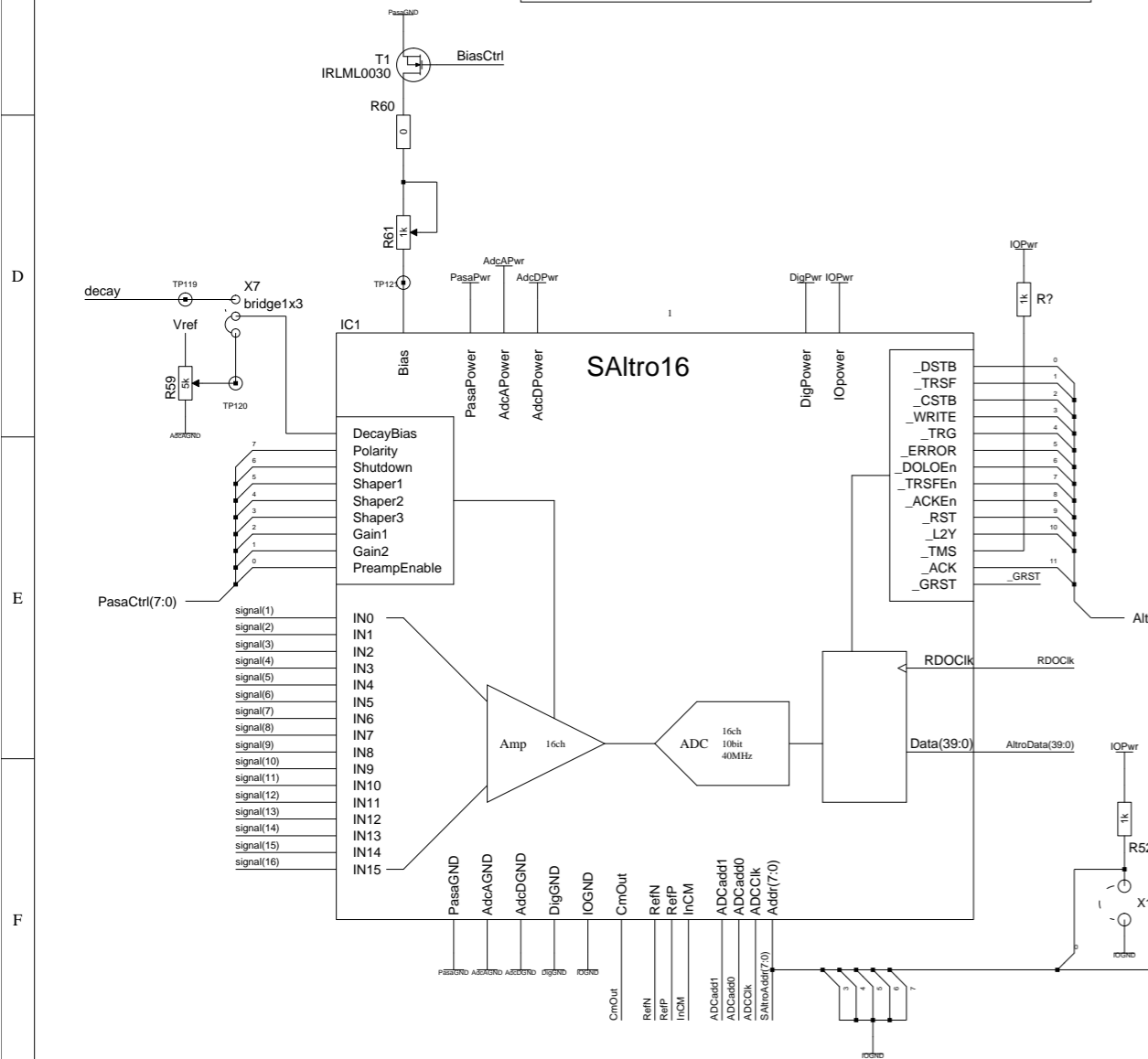
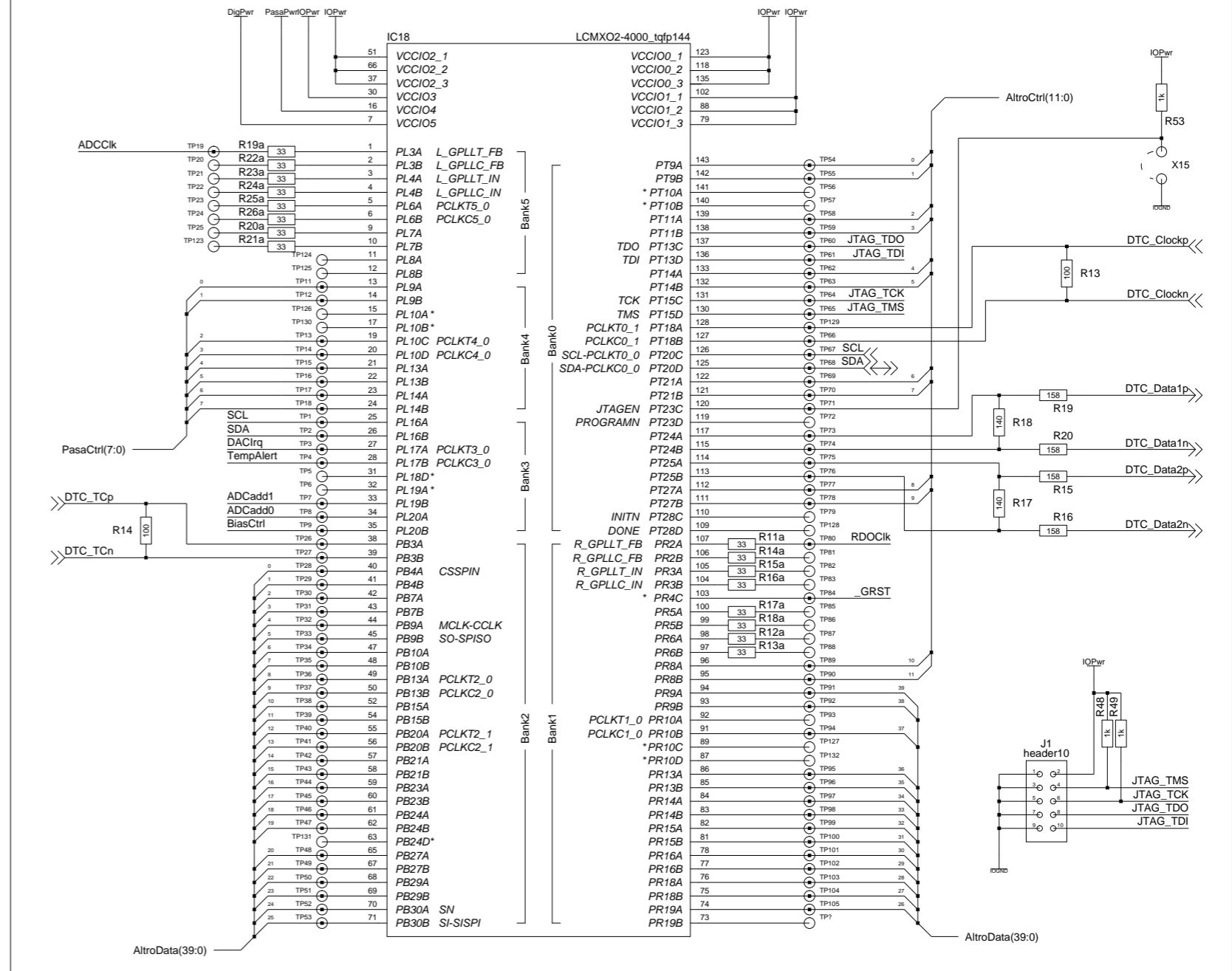
Input connectors



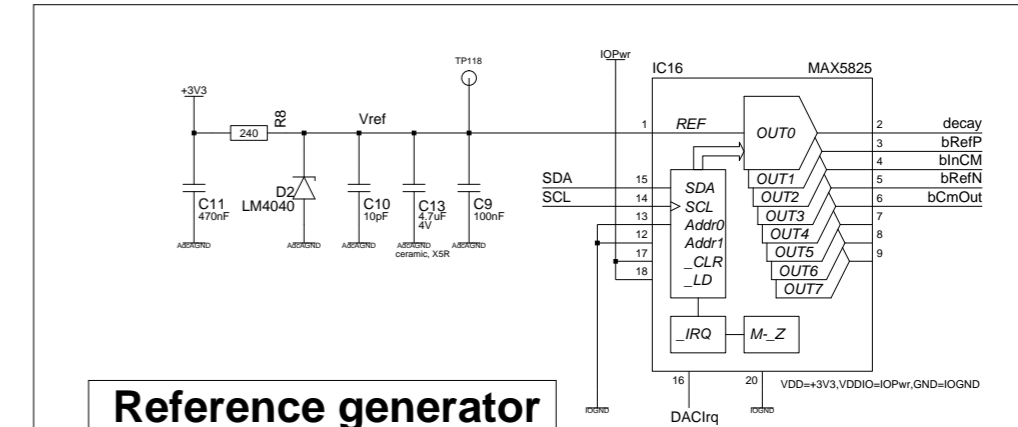
Reference buffers



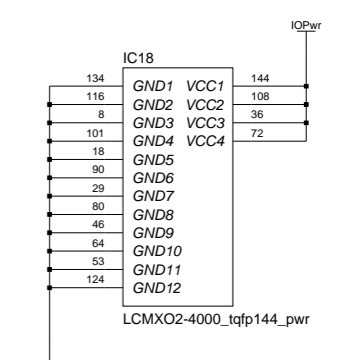
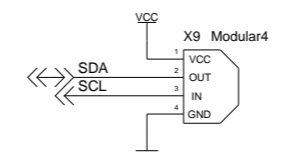
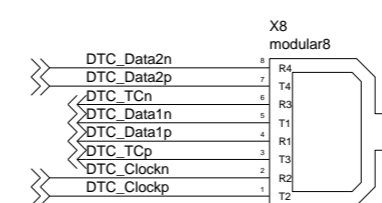
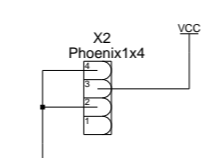
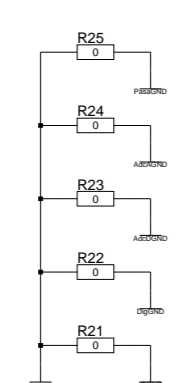
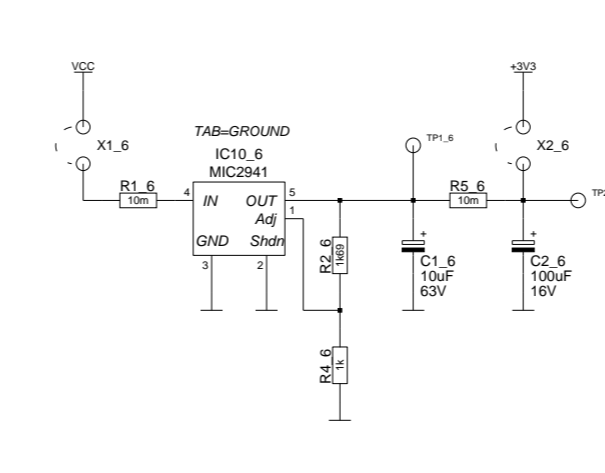
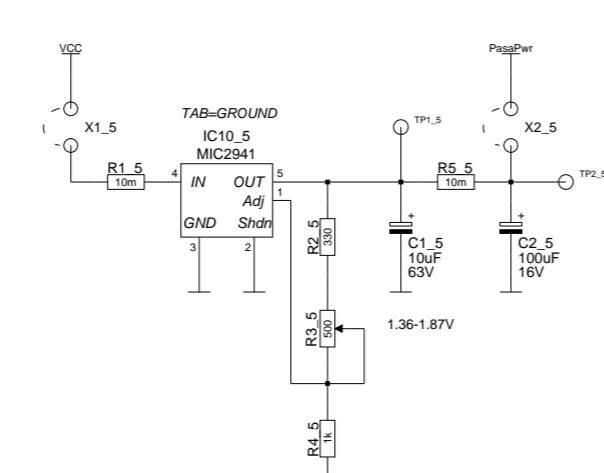
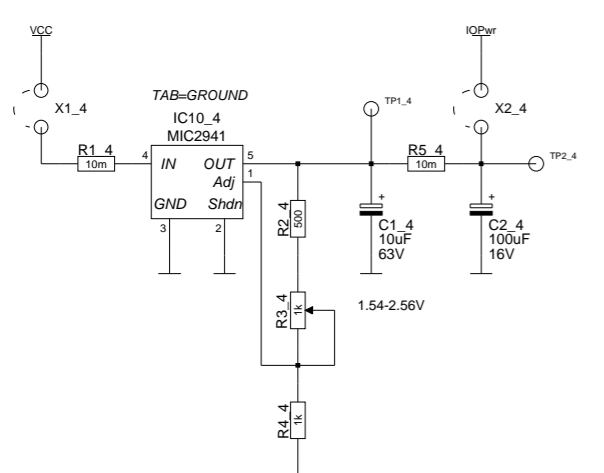
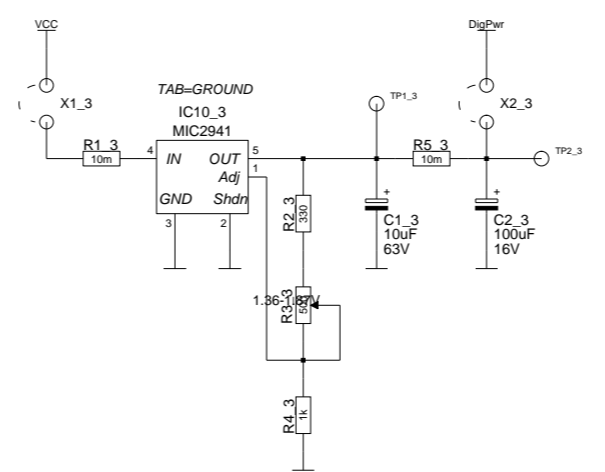
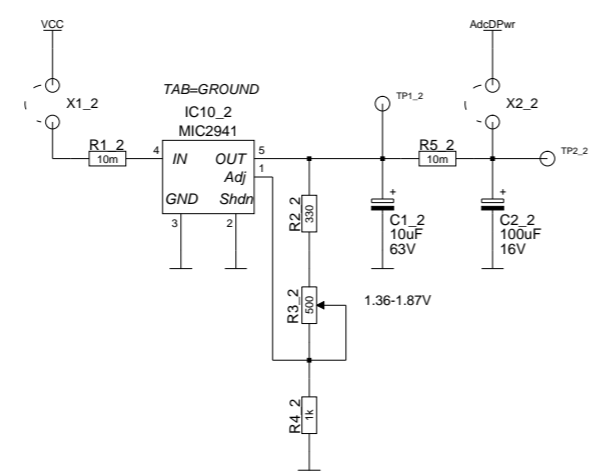
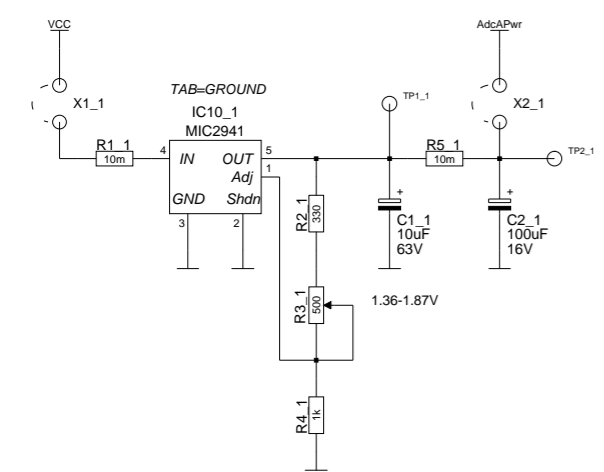
MCM control & communication



Reference generator

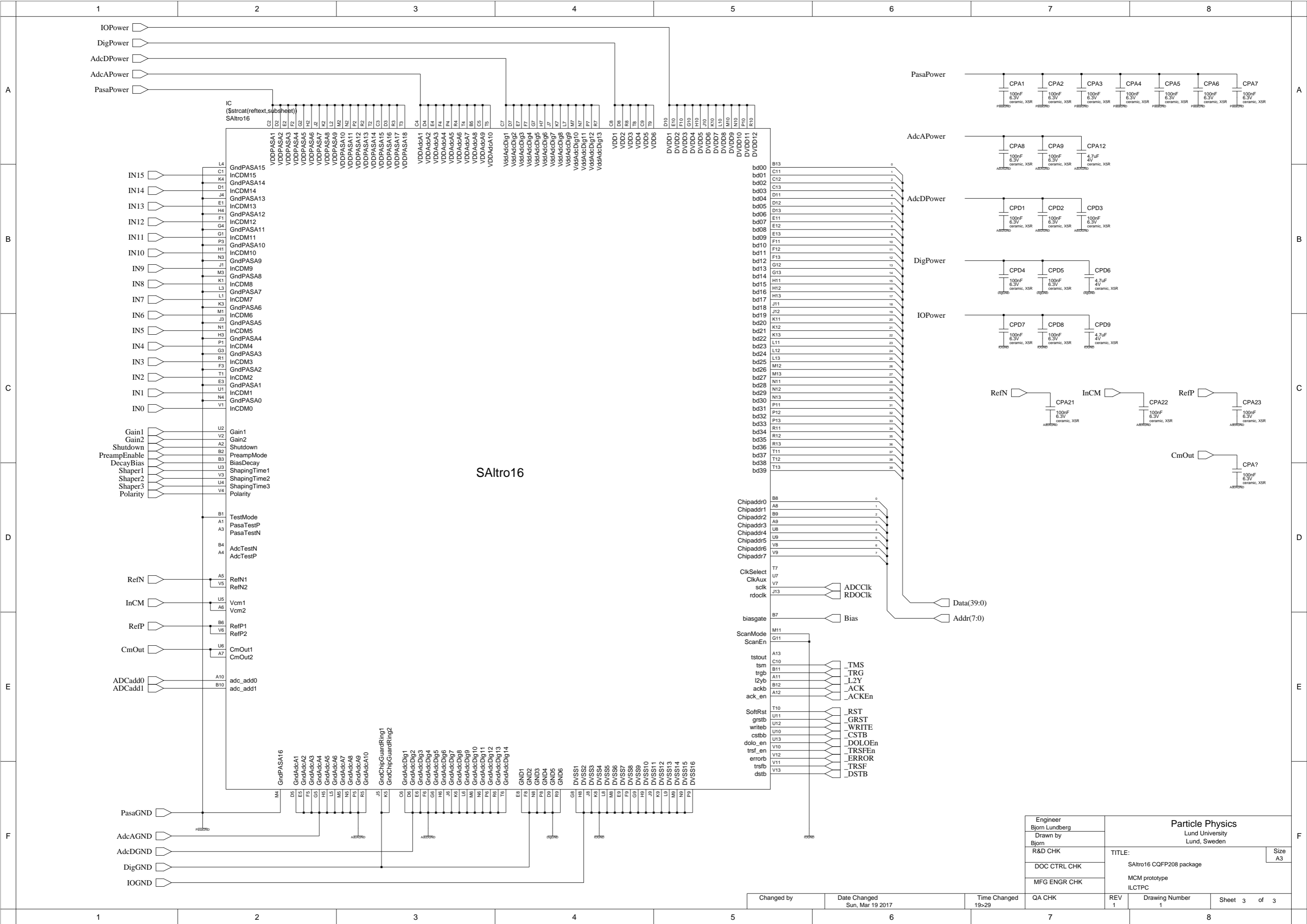


Engineer Bjorn Lundberg	Particle Physics Lund University Lund, Sweden	
Drawn by Bjorn Lundberg	TITLE: SAItro16 Testboard	Size A3
R&D CHK	MCM-prototype	
MFG ENGR CHK	ILCTPC	
QA CHK	REV 1.0	Sheet 1 of 3
Changed by	Date Changed Thu, Jun 15, 2017	Time Changed 12:32



Engineer Bjorn Lundberg	Particle Physics Lund University Lund, Sweden		Size A3
Drawn by Bjorn			
R&D CHK	TITLE:	SAItro16 Testboard	
DOC CTRL CHK		MCM-prototype	
MFG ENGR CHK		ILCTPC	

Changed by	Date Changed Thu, Jun 15, 2017	Time Changed 12:36	QA CHK	REV 1.0	Drawing Number 1	Sheet 2 of 3
------------	-----------------------------------	-----------------------	--------	------------	---------------------	--------------



SAItro16

Engineer Bjorn Lundberg	Particle Physics Lund University Lund, Sweden		
Drawn by Bjorn	TITLE: SAItro16 CQFP208 package		
R&D CHK	MCM prototype		Size A3
DOC CTRL CHK	ILCTPC		
MFG ENGR CHK			

Changed by	Date Changed Sun, Mar 19 2017	Time Changed 19:29	QA CHK	REV 1	Drawing Number 1	Sheet 3 of 3
------------	----------------------------------	-----------------------	--------	----------	---------------------	--------------