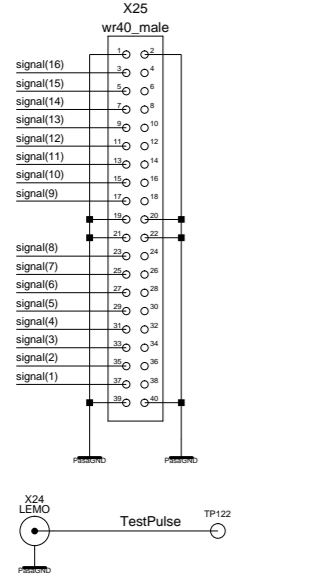
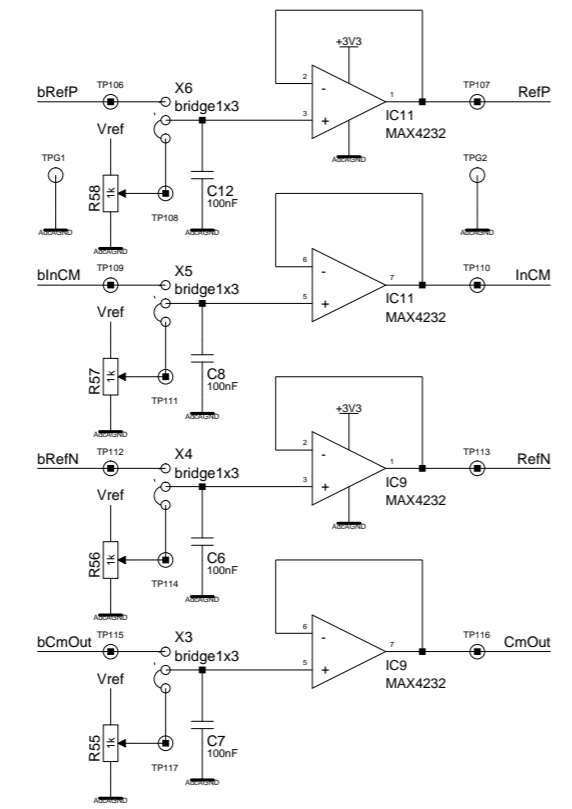


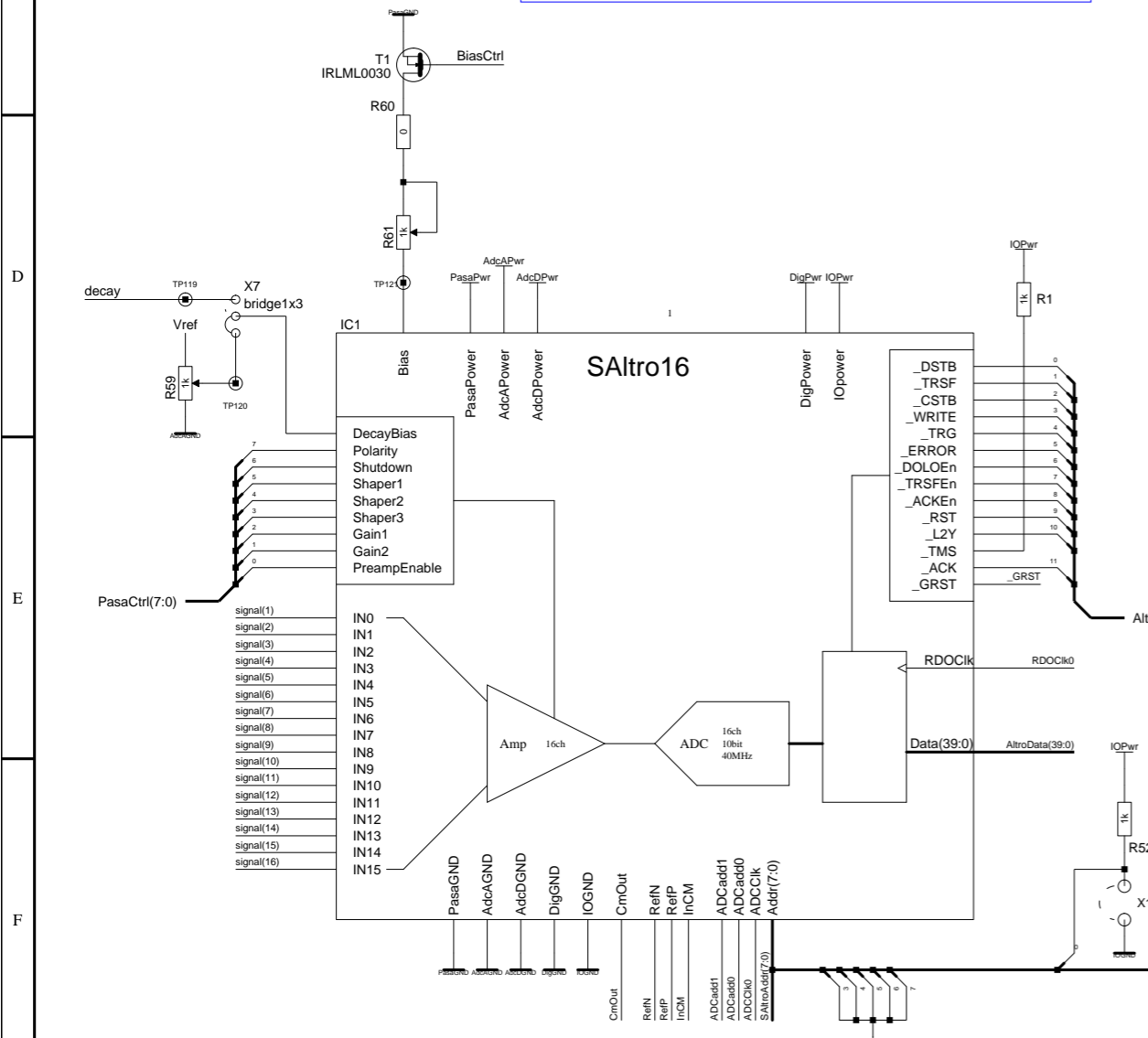
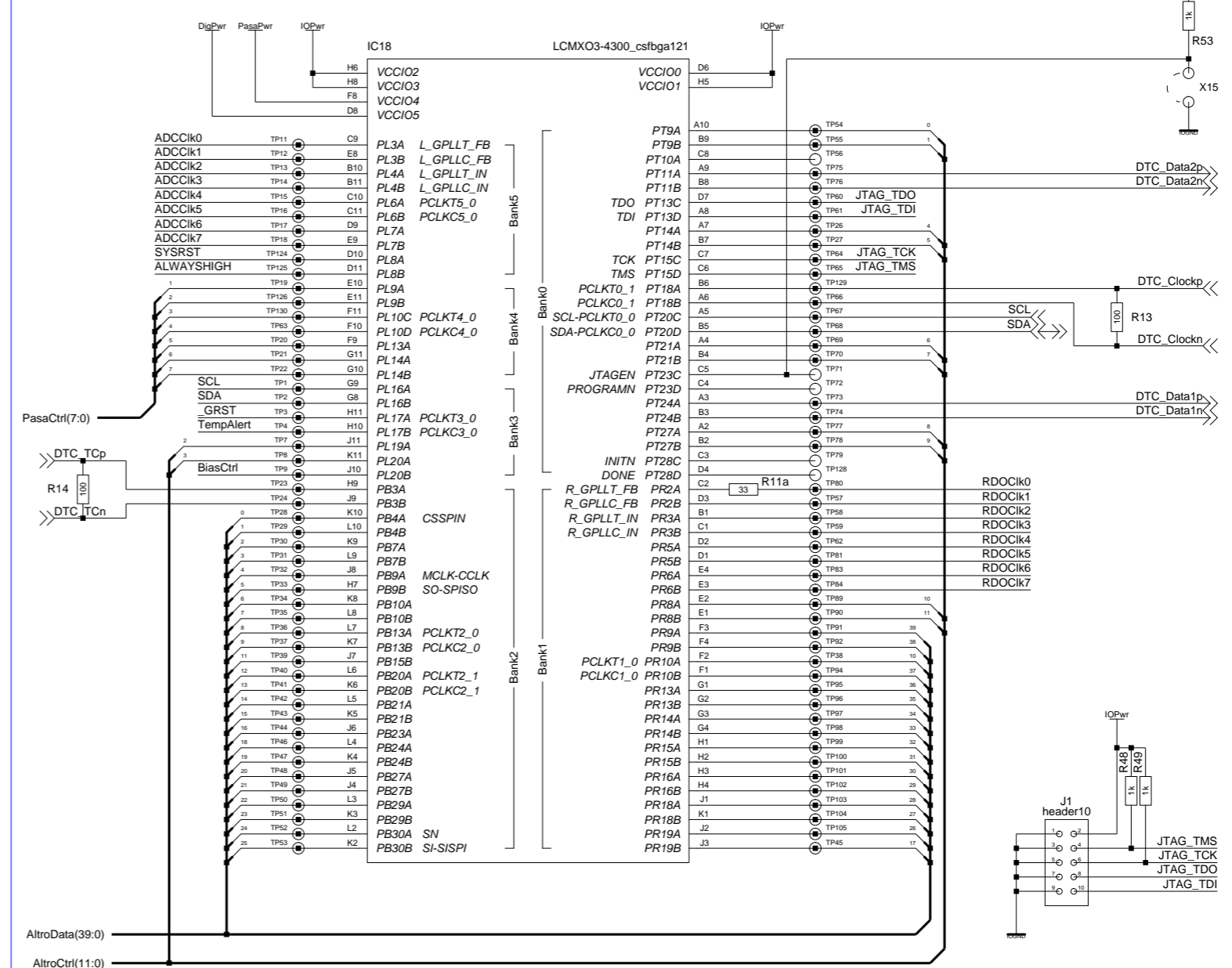
Input connectors



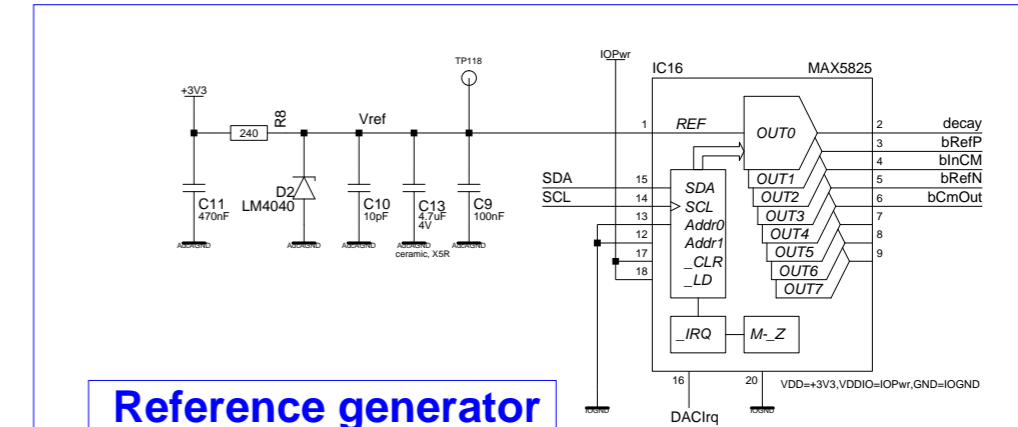
Reference buffers



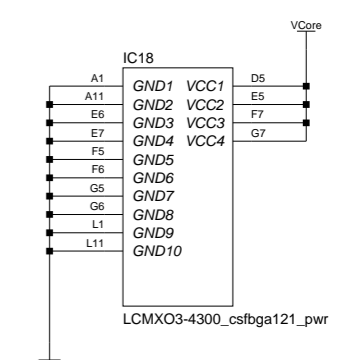
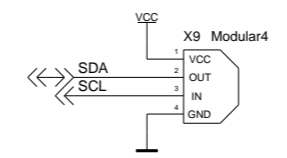
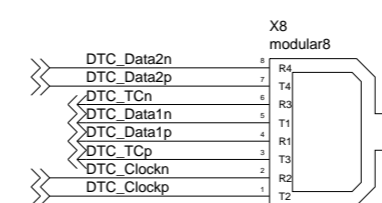
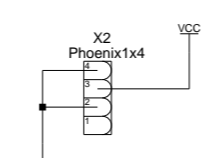
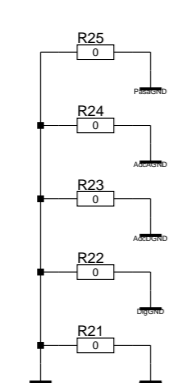
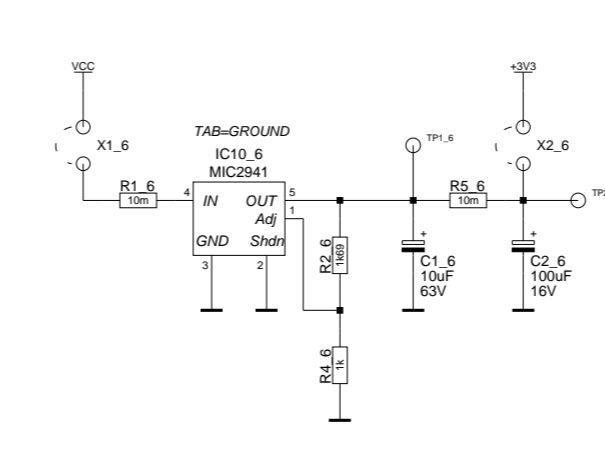
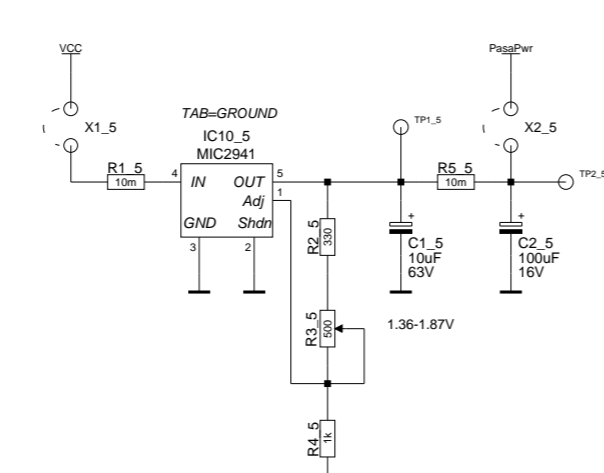
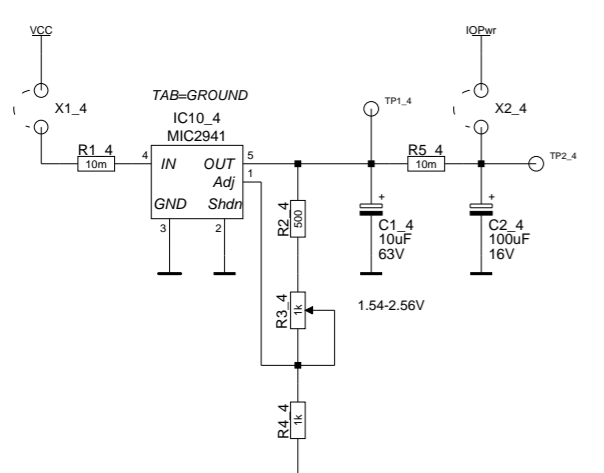
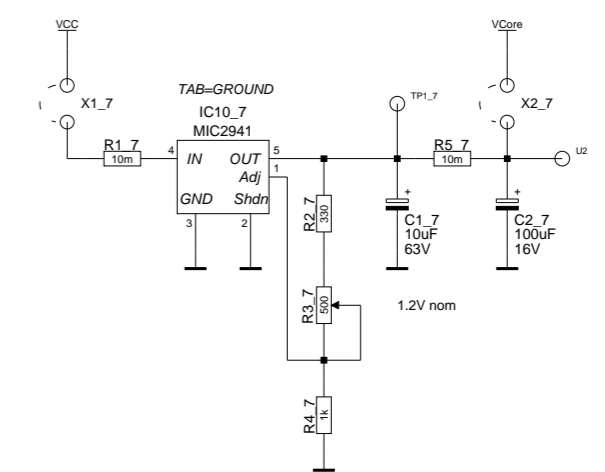
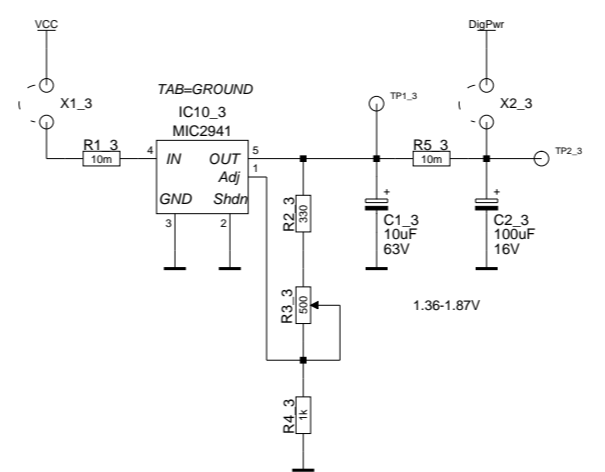
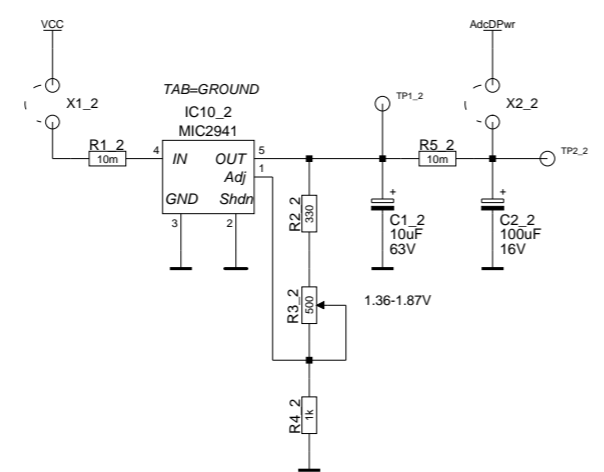
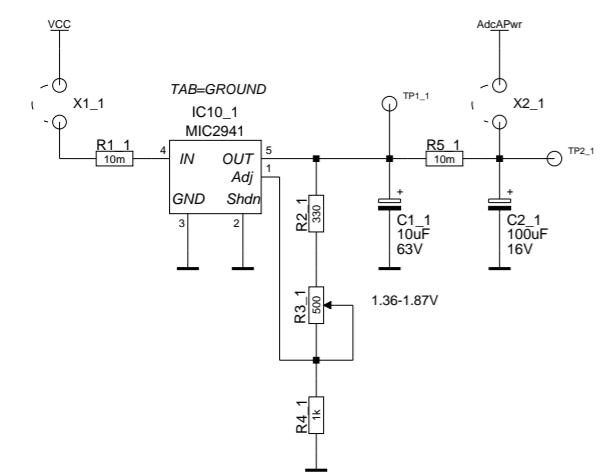
MCM control & communication



Reference generator

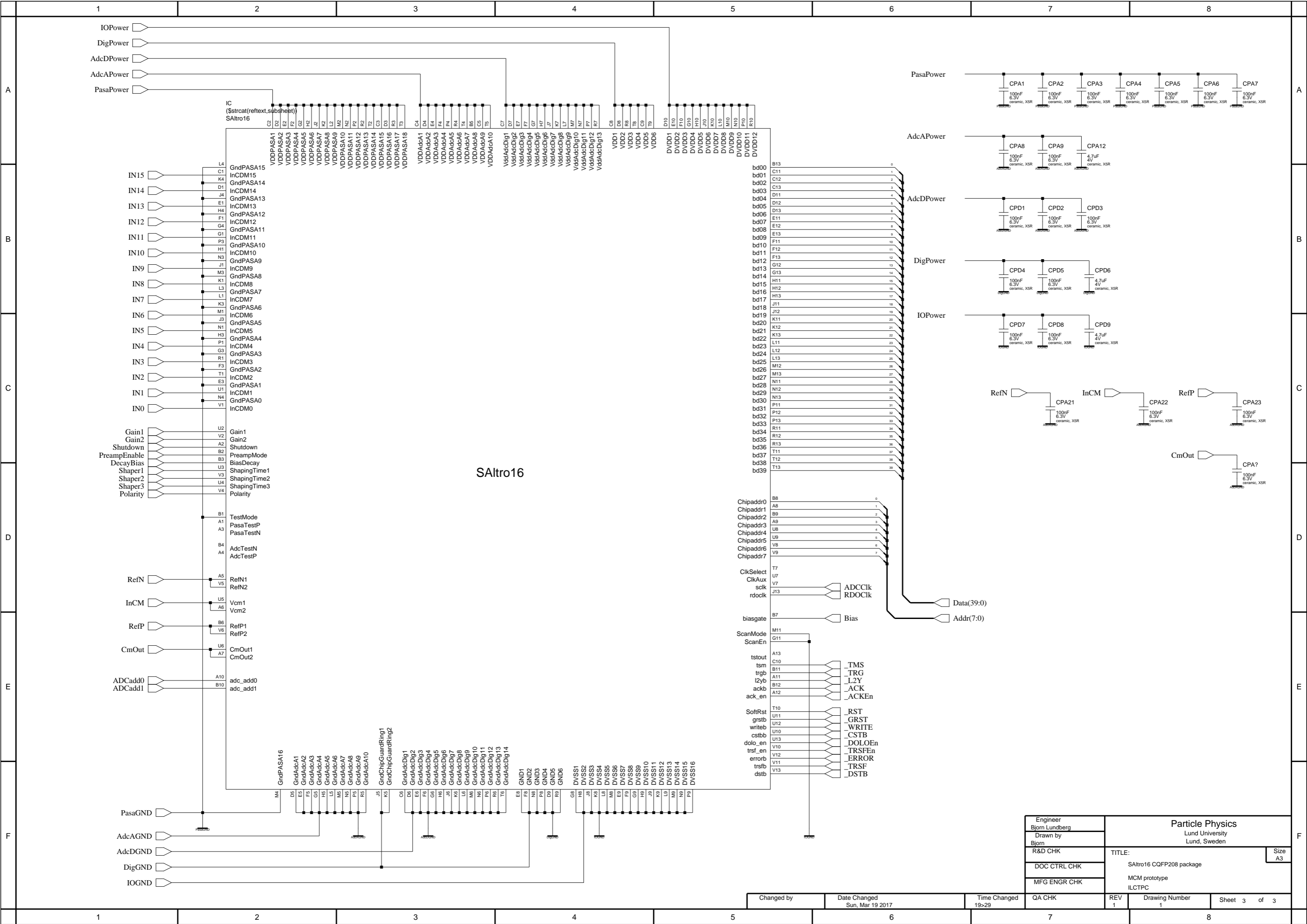


Engineer Bjorn Lundberg	Particle Physics Lund University Lund, Sweden	
Drawn by Bjorn Lundberg	TITLE: SAItro16 Testboard	Size A3
R&D CHK	MFG ENGR CHK	
QA CHK	REV 1.0	Drawing Number 1
Changed by	Date Changed Sun, Aug 26, 2018	Time Changed 20:14
	Sheet 1 of 3	



Engineer Bjorn Lundberg	Particle Physics Lund University Lund, Sweden		Size A3
Drawn by Bjorn	TITLE: SAltro16 Testboard		
R&D CHK	MCM-prototype		
DOC CTRL CHK	ILCTPC		
MFG ENGR CHK			

Changed by	Date Changed Sun, May 13 2018	Time Changed 23:35	QA CHK	REV 1.0	Drawing Number 1	Sheet 2 of 3
------------	----------------------------------	-----------------------	--------	------------	---------------------	--------------



SAItro16

Engineer Bjorn Lundberg		Particle Physics Lund University Lund, Sweden	
Drawn by Bjorn		TITLE: SAItro16 CQFP208 package	
R&D CHK		MCM prototype	
DOC CTRL CHK		ILCTPC	
MFG ENGR CHK		Size A3	

Changed by	Date Changed Sun, Mar 19 2017	Time Changed 19:29	QA CHK	REV 1	Drawing Number 1	Sheet 3 of 3
------------	----------------------------------	-----------------------	--------	----------	---------------------	--------------